

HANSI

Sanitary Ware



注意事项

1. 图示尺寸与实物尺寸可能略有差异，本公司有权修改取消上述产品，恕不另行通知。若使用过期或作废的图纸，本公司将不负任何责任。
2. 有关工程项目的具体尺寸数据请与本公司联系确认。
3. 由于印刷的关系，正式产品的颜色与所示的图片有部分差异。一切以实物颜色为准。

IMPORTANT:

1. These measurements are subject to change or cancel. No responsibility is assumed for use of superseded or voided pages.
2. Please consult the manufacturer for confirmation of detailed dimensions for building construction purposes.
3. Due to the printing process, the colors of the actual products may differ from those pictures. For true color matching purposes, please refer to chip color samples.





Focus on service

By adopting the world first- class high pressure molding equipment, the comprehensive production efficiency has been increased by 4 times. By utilizing the digit control tunnel kiln, the firing temperature is strictly controlled over 1200 degree, which ensuring the water absorption rate of each product below 0.2%; the inspection of toilet pan is more strict. Each toilet not only being tested on appearance, fixing flushing and PP/PE sewage function, but also has to pass the rigorous water leak test.



With excellent product style, stable product quality and remarkable product value, HANSI sanitary ware always meets the high class demands of customers all over the world in the field of bathroom.

Factory General:

卫浴生产流程:

陶瓷特点:

1280度高温加热,使产品真正全瓷化,具备了耐高温、附磨、不吸水的优点。进口特殊釉料配方,釉面光洁细腻,表面耐磨、耐污性好,易清洁,长期使用,确保有如新。

陶瓷产品介绍:

陶瓷生产原料:

分瓷土、釉料,其所含原料劳动保基本相同,但原料配比不同。其和要成分:长石、石英、氧化锌、氧化锆、氧化镁、色料。

K_2O 、 SiO_2 、 ZnO 、 ZrO_2 、 Al_2O_3 、 MgO 。

陶土:用于生产陶器和瓷器的一种粘土简称陶土。

瓷器:高温烧成中完全玻璃化成瓷的成品。

陶器:高温烧成中未完全玻璃化成不成头瓷的成品。

瓷器与陶器区别:原料配方、产品吸水率、烧成温度。

浆料:成型注浆所用的原料。

釉料:半成品喷釉所用的原料。

生产过程:球磨、过筛、除铁、池存。

球磨和过筛必须达到时325目国标。

模具:

成型注浆所用的石膏模具。

材料:石膏粉

特点:吸水快、凝固时间短、修补方便,价钱便宜。

灌浆次数: 80次~120次

生产过程: 3D纸设计、原模人工雕塑、母模采用树脂做成母模,通过母模生产出的子模用于成型注浆。

成型灌注:

用浆料到石膏模中形成半成品坯体,成每一件成型产品至少两块模块模型组合。

成型方法:单面吸浆,双面吸浆。

生产过程:注浆、放浆、脱模、拼接打孔、修坯。

喷釉:

用釉料均匀地喷施在半成品坯体上。

喷釉方式:机器手喷釉、人工喷釉。

烧成:

喷成釉的半成品,在窑内经过一定时间高温烧热后形成的产品。

烧成收缩率:不大于1.15。

烧成时间: 13小时~15小时。

烧成温度: $1210^{\circ}C$ ~ $1280^{\circ}C$ 。

烧成过程:预热带、烧成带、冷却带。

窑炉种类:梭式窑、随着窑、辊道窑。

检验:

研制室:

浆料:细度、比重(含水量)、收缩、强度、抗弯曲性、流动、触变。

釉料:流动、触变、细度、比征、色差、高温流动、干燥时间、坯布釉适应性(为了控制热稳定性)。

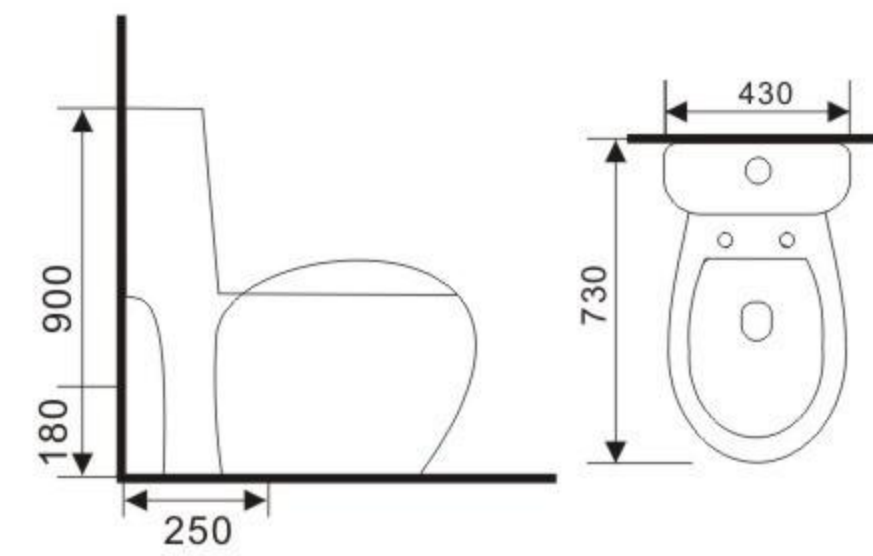
色差:生产釉上瓦片、烧成与美国KOHELR标准色板比较,采用进口色差仪。

色泽:目测。



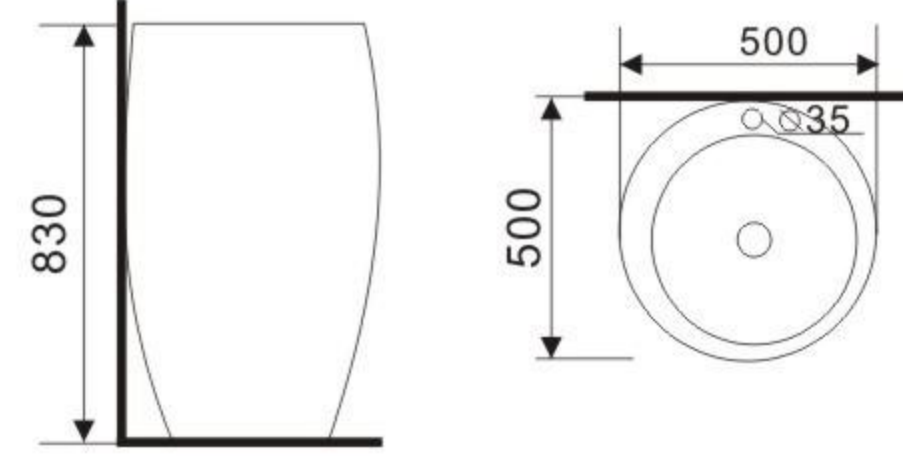
HS-9017M
Washdown one-piece toilet
Size:730*430*900mm
S-trap,250mm Roughing-in
P-trap,180mm Roughing-in

直冲式连体坐便器
尺寸:730*430*900mm
地排,排污口离墙250mm
墙排,排污口离地180mm



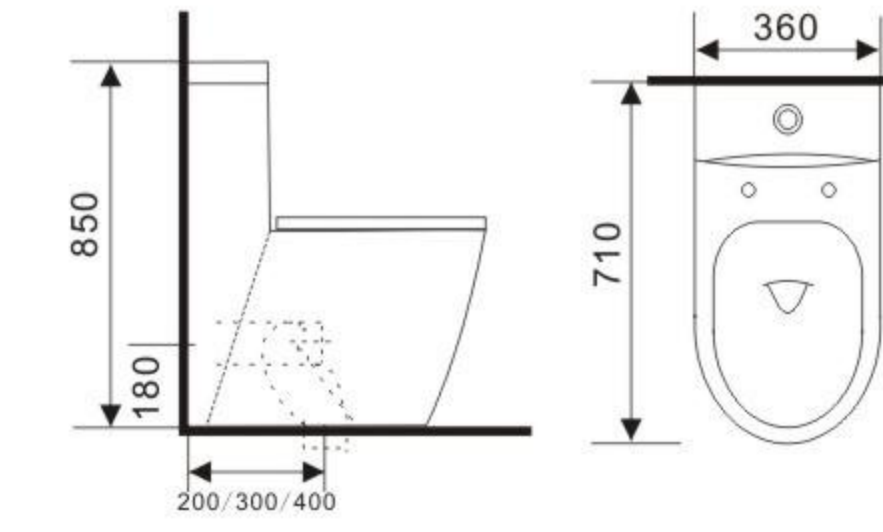
HS-8016B
Pedestal basin
Size:500*500*830mm
Fixing to wall with back

立柱盆
尺寸:500*500*830mm
背靠墙式安装



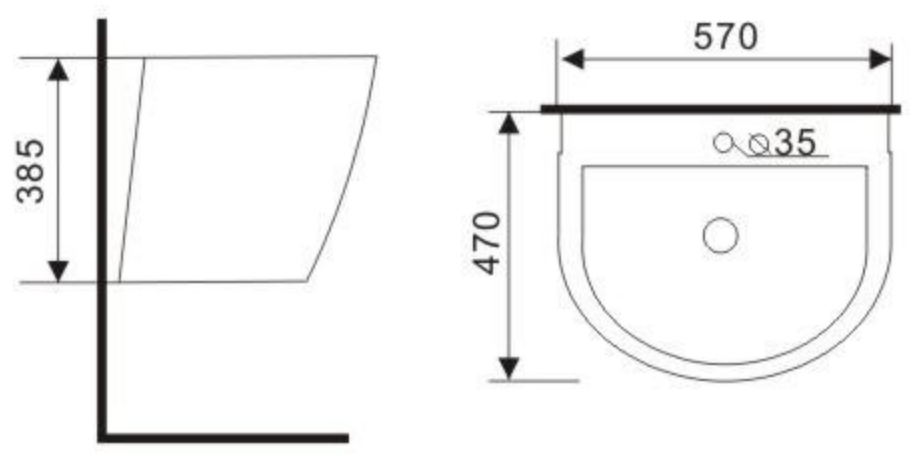
HS-A380
Siphonic/Washdown one-piece toilet
Size:710*360*850mm
S-trap,200.300.400mm Roughing-in
P-trap,180mm Roughing-in

虹吸/直冲式连体坐便器
尺寸:710*360*850mm
地排,排污口离墙200. 300. 400mm
墙排,排污口离地180mm



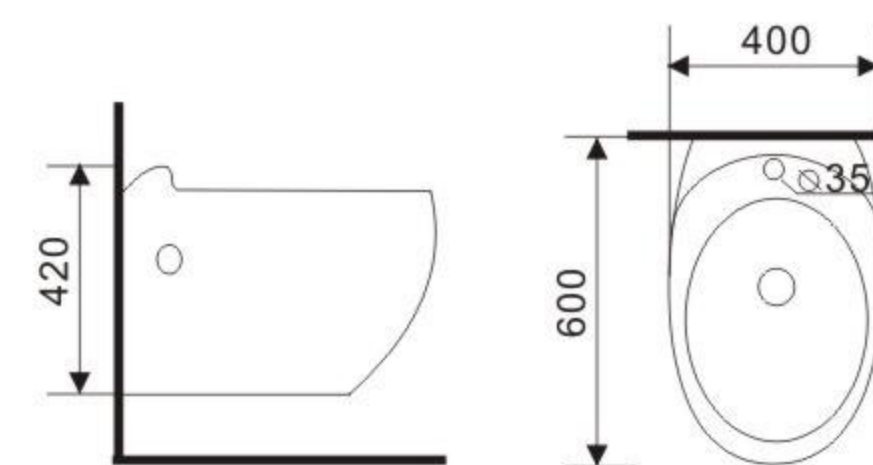
HS-K9380
Wall-hung basin
Size:570*470*385mm
Fixing to wall with back

挂盆
尺寸:570*470*385mm
背靠墙式安装



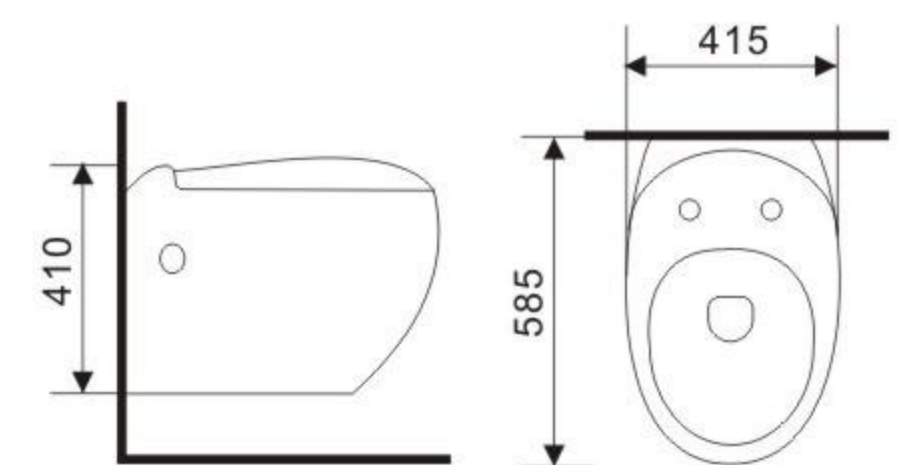
HS-8016G
Wall-hung bidet
Size:600*400*420mm
Fixing to wall with back

挂墙妇洗器
尺寸:600*400*420mm
背靠墙式安装



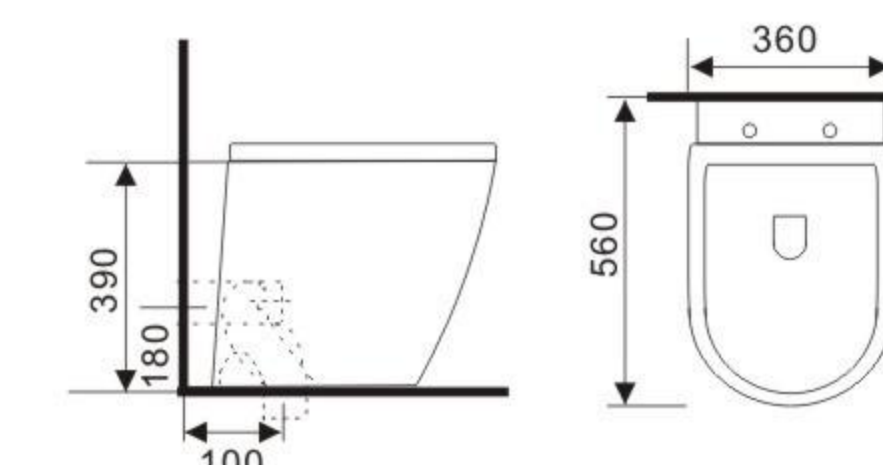
HS-8016D
Washdown wall-hung toilet
Size:585*415*410mm
Fixing to wall with back
P-trap

直冲式挂墙坐便器
尺寸:585*415*410mm
背靠墙式安装
墙排



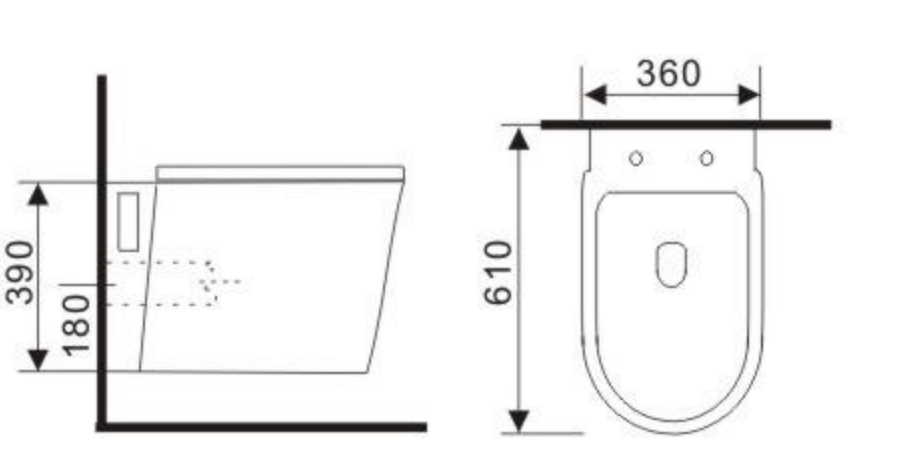
HS-2380B
Washdown piece toilet
Size:560*360*390mm
S-trap,100mm Roughing-in
P-trap,180mm Roughing-in

直冲式落地坐便器
尺寸:560*360*390mm
地排,排污口离墙100mm
墙排,排污口离地180mm



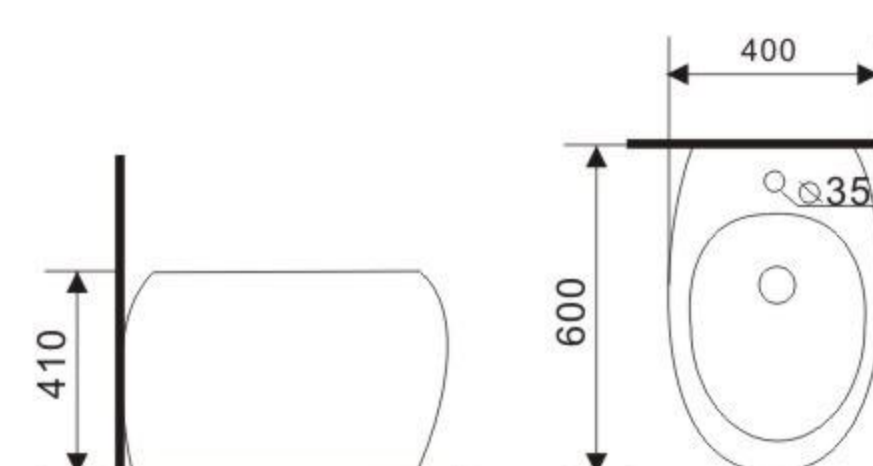
HS-8081D
Washdown wall-hung toilet
Size:610*360*390mm
Fixing to wall with back
P-trap,180mm Roughing-in

直冲式挂墙坐便器
尺寸:610*360*390mm
背靠墙式安装
墙排,排污口离地180mm



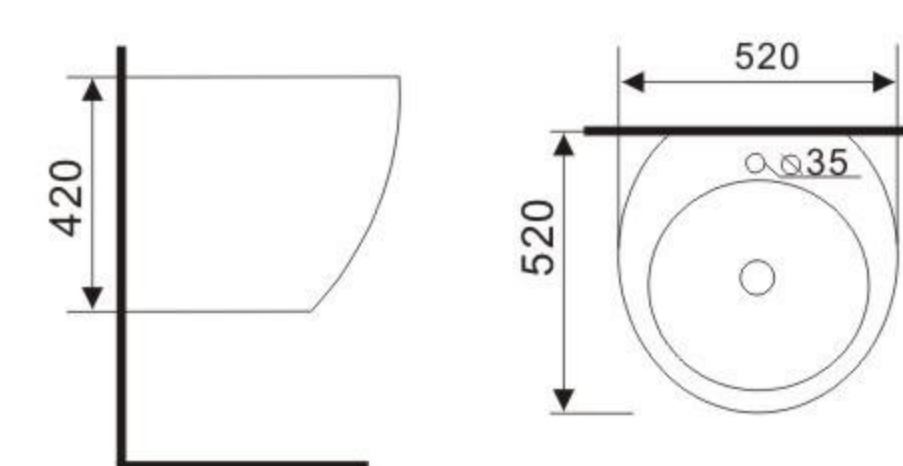
HS-8016C
Bidet
Size:600*400*410mm
Fixing to wall with back

落地式妇洗器
尺寸:600*400*410mm
背靠墙式安装



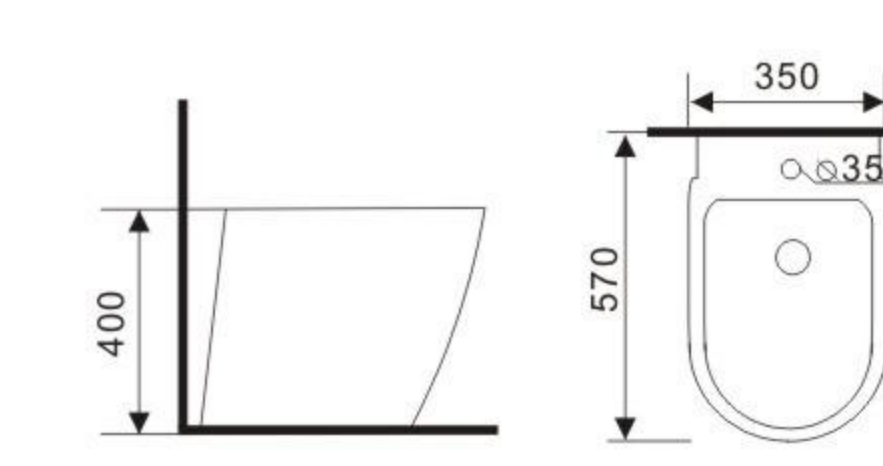
HS-9301
Wall-hung basin
Size:520*520*420mm
Fixing to wall with back

挂盆
尺寸:520*520*420mm
背靠墙式安装



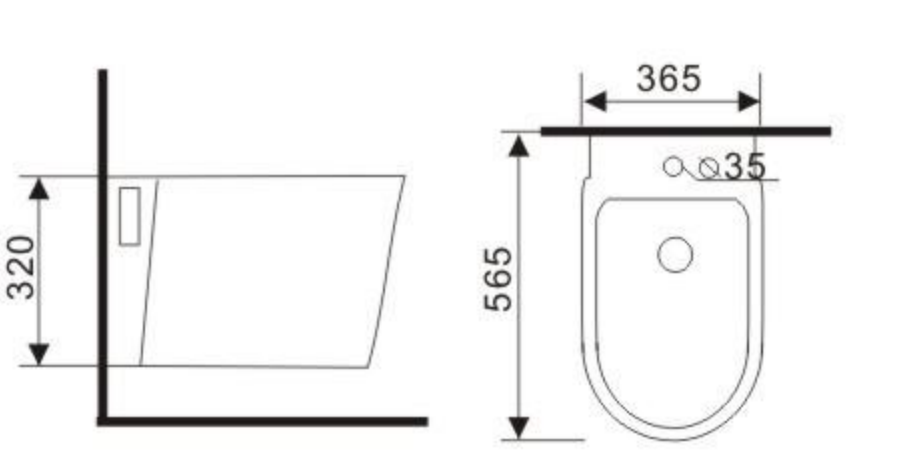
HS-G5380
Bidet
Size:570*350*400mm
Fixing to wall with back

落地式妇洗器
尺寸:570*350*400mm
背靠墙式安装



HS-P4630
Wall-hung bidet
Size:565*365*320mm
Fixing to wall with back

挂墙妇洗器
尺寸:565*365*320mm
背靠墙式安装

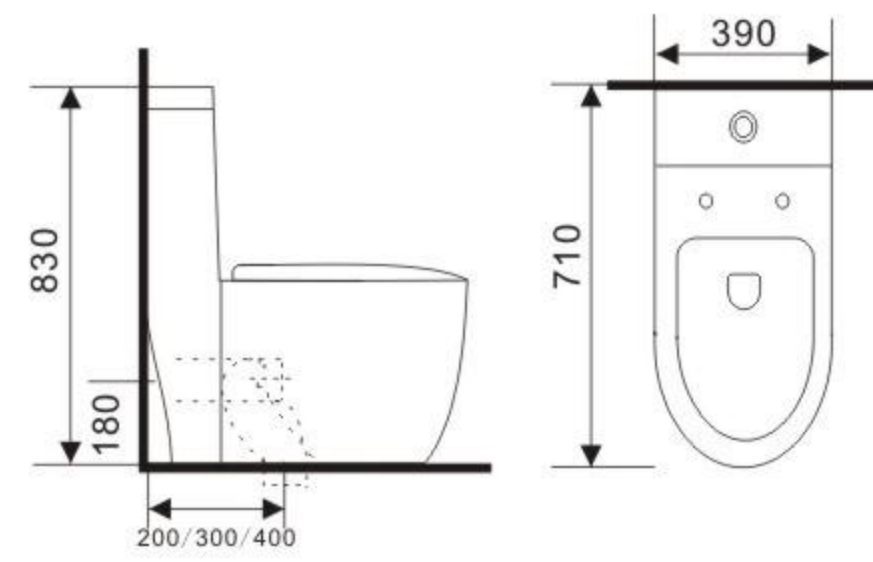




HS-A375

Washdown one-piece toilet
Size:710*390*830mm
S-trap,200.300.400mm Roughing-in
P-trap,180mm Roughing-in

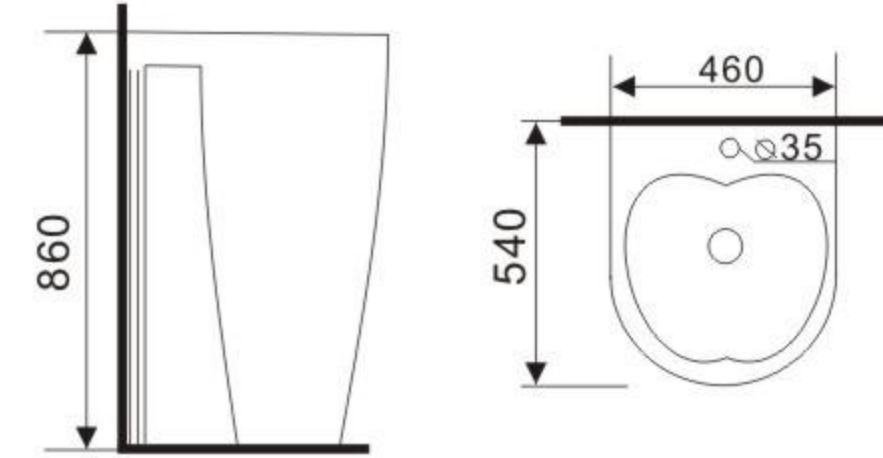
直冲式连体坐便器
尺寸:710*390*830mm
地排,排污口离墙200.300.400mm
墙排,排污口离地180mm



HS-8063B

Pedestal basin
Size:460*540*860mm
Fixing to wall with back

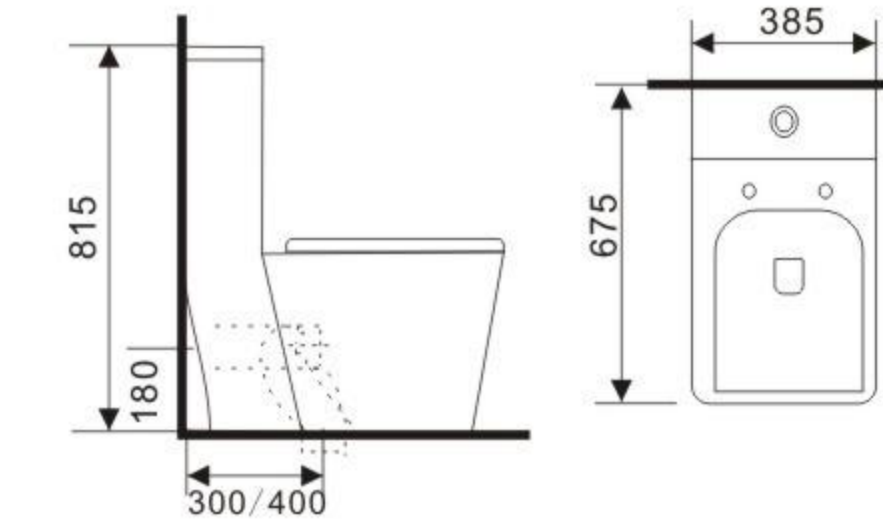
立柱盆
尺寸:460*540*860mm
背靠墙式安装



HS-8027A

Siphonic/Washdown one-piece toilet
Size:675*385*815mm
S-trap,300.400mm Roughing-in
P-trap,180mm Roughing-in

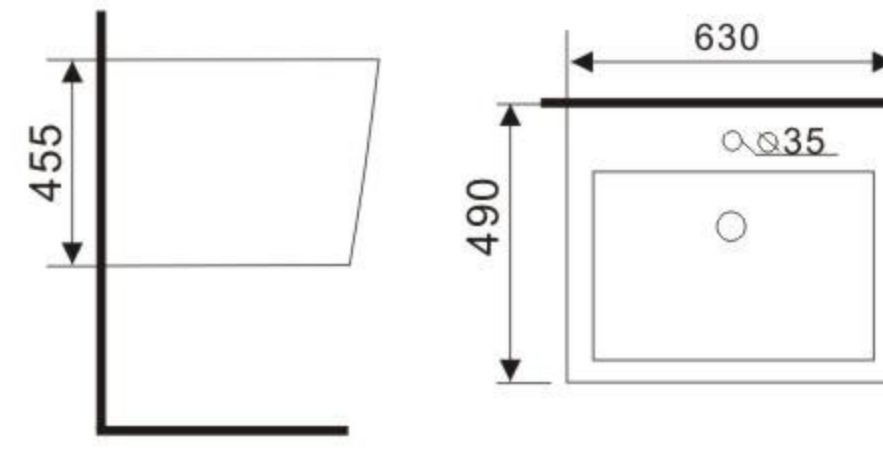
虹吸/直冲式连体坐便器
尺寸:675*385*815mm
地排,排污口离墙300.400mm
墙排,排污口离地180mm



HS-9370

Wall-hung basin
Size:630*490*455mm
Fixing to wall with back

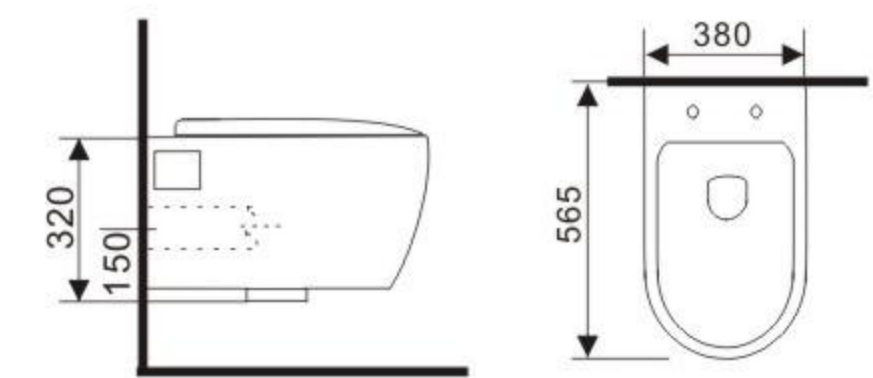
挂盆
尺寸:630*490*455mm
背靠墙式安装



HS-8082D

Washdown wall-hung toilet
Size:565*380*320mm
P-trap,150mm Roughing-in

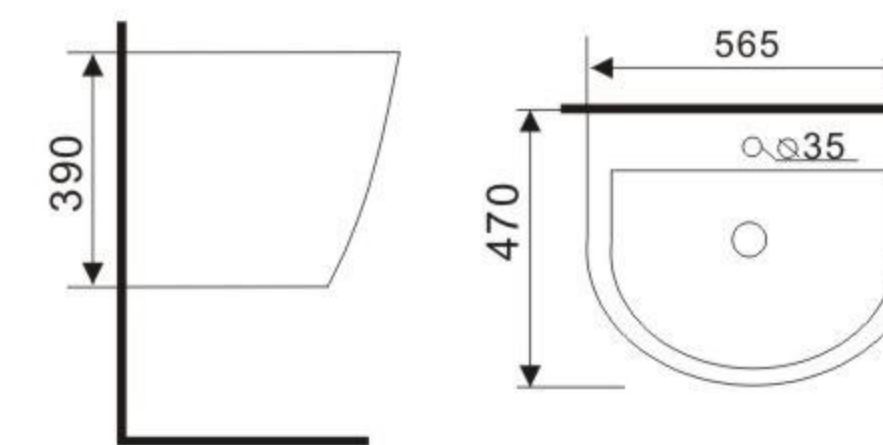
直冲式挂墙坐便器
尺寸:565*380*320mm
墙排,排污口离地150mm



HS-P4628

Wall-hung bidet
Size:565*470*390mm
Fixing to wall with back

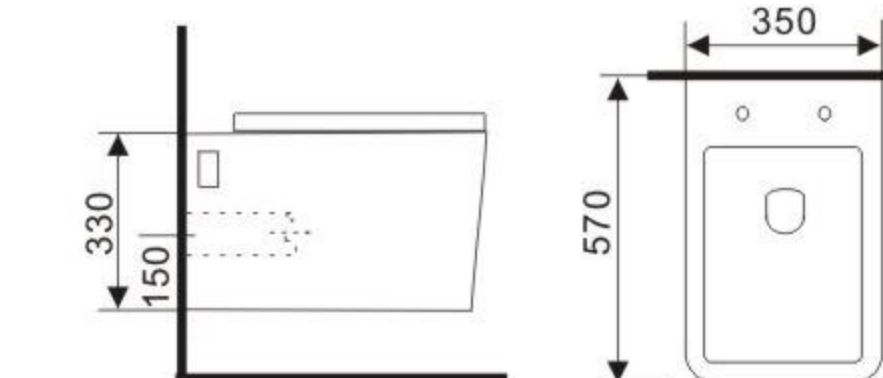
挂墙妇洗器
尺寸:565*470*390mm
背靠墙式安装



HS-8083D

Washdown wall-hung toilet
Size:570*350*330mm
P-trap,150mm Roughing-in

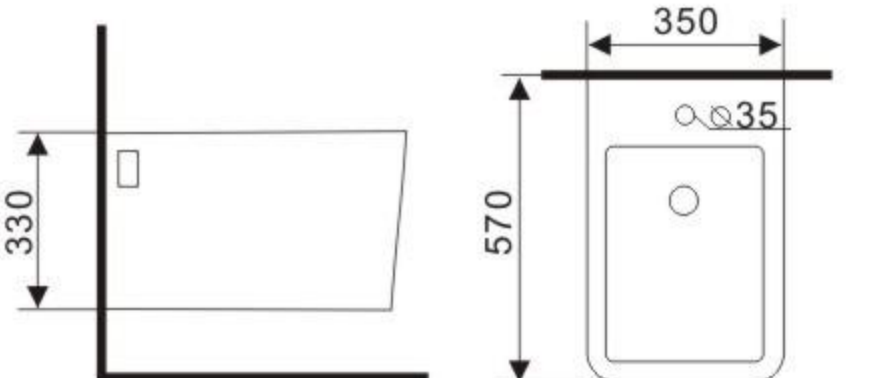
直冲式挂墙坐便器
尺寸:570*350*330mm
墙排,排污口离地150mm



HS-8083G

Wall-hung bidet
Size:570*350*330mm
Fixing to wall with back

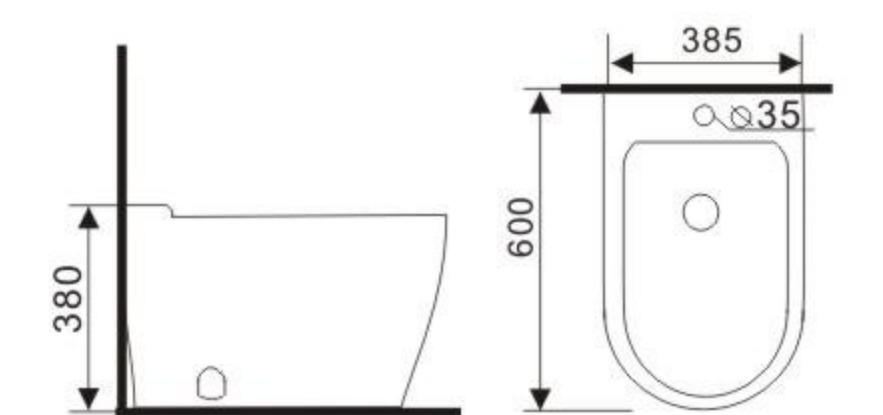
挂墙妇洗器
尺寸:570*350*330mm
背靠墙式安装



HS-8082G

Bidet
Size:600*385*380mm
Fixing to wall with back

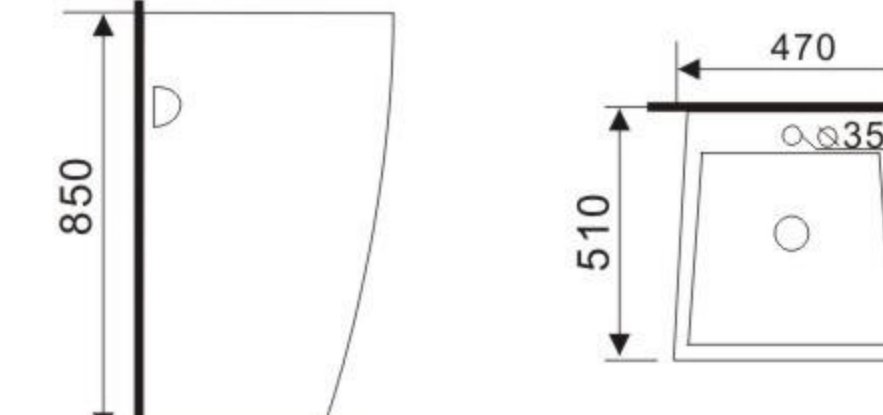
落地妇洗器
尺寸:600*385*380mm
背靠墙式安装



HS-D6398

Pedestal basin
Size:470*510*850mm
Fixing to wall with back

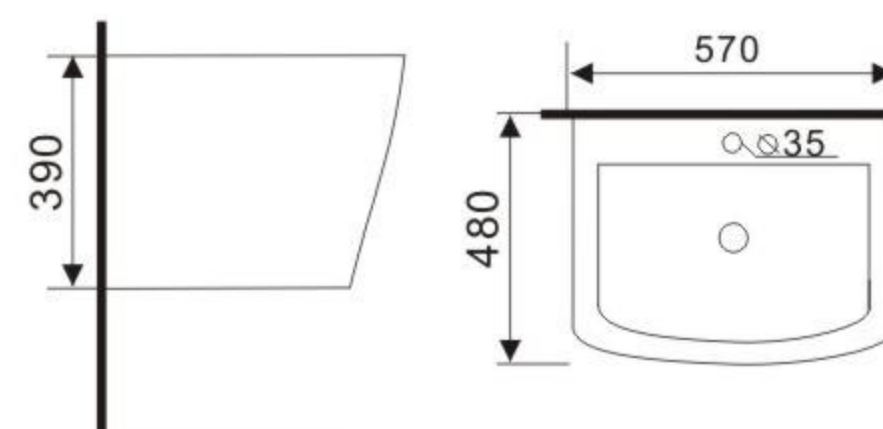
立柱盆
尺寸:470*510*850mm
背靠墙式安装



HS-8086F

Wall-hung basin
Size:570*480*390mm
Fixing to wall with back

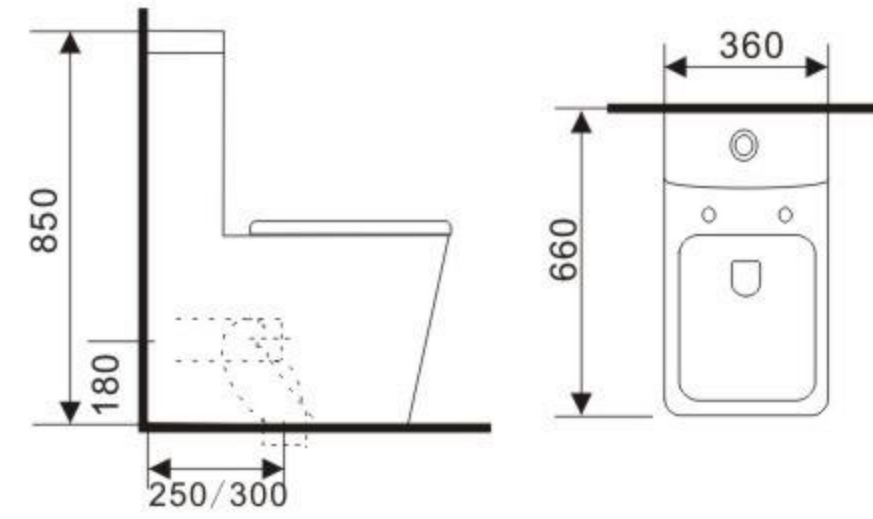
挂盆
尺寸:570*480*390mm
背靠墙式安装





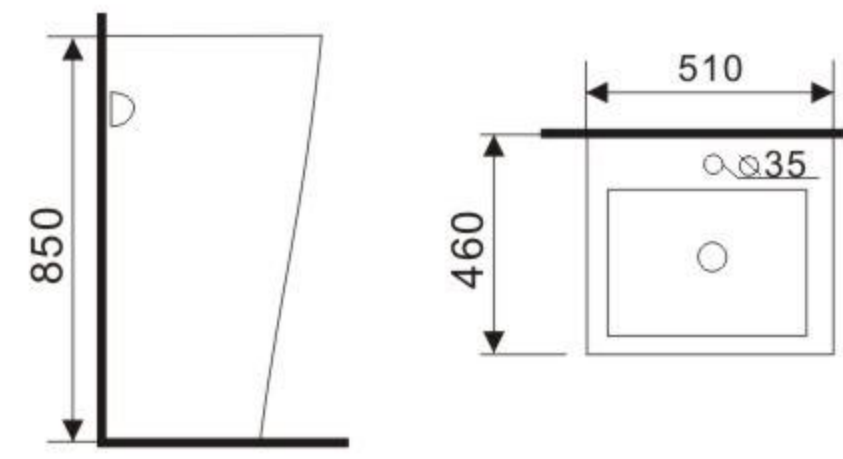
HS-A389
Siphonic one-piece toilet
Size:660*360*850mm
S-trap,250.300mm Roughing-in
P-trap,180mm Roughing-in

虹吸式连体坐便器
尺寸:660*360*850mm
地排,排污口离墙250.300mm
墙排,排污口离地180mm



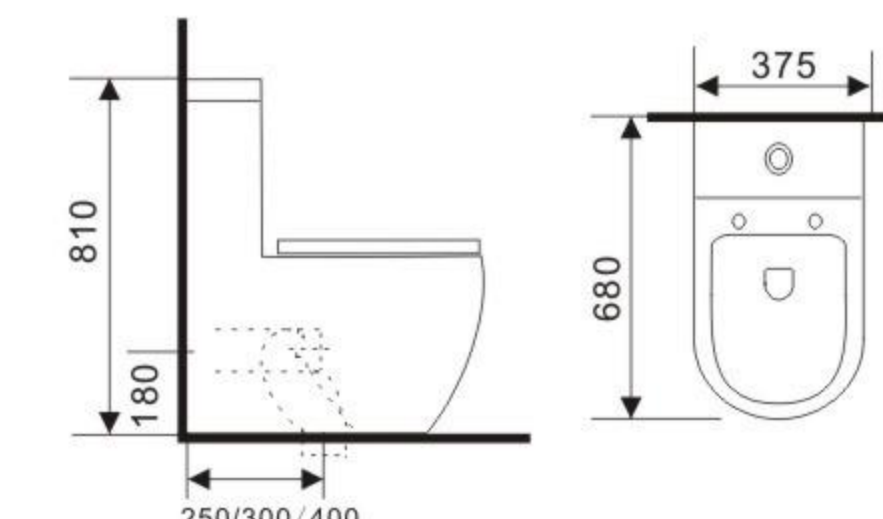
HS-8028B
Pedestal basin
Size:510*460*850mm
Fixing to wall with back

立柱盆
尺寸:510*460*850mm
背靠墙式安装



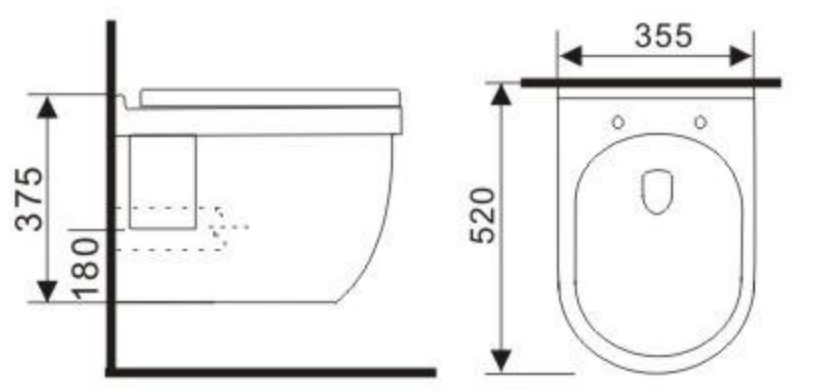
HS-AP1828
Siphonic/Washdown one-piece toilet
Size:680*375*810mm
S-trap,250.300.400mm Roughing-in
P-trap,180mm Roughing-in

虹吸/直冲式连体坐便器
尺寸:680*375*810mm
地排,排污口离墙250.300.400mm
墙排,排污口离地180mm



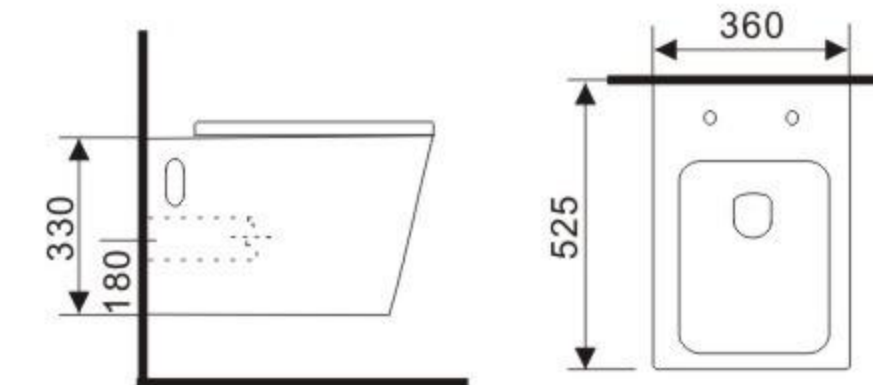
HS-B2394
Washdown wall-hung toilet
Size:520*355*375mm
P-trap,180mm Roughing-in

直冲式挂墙坐便器
尺寸:520*355*375mm
墙排,排污口离地180mm



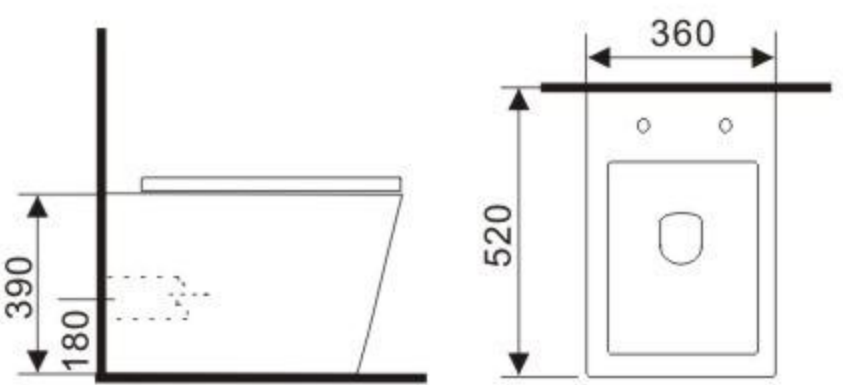
HS-2389
Washdown wall-hung toilet
Size:525*360*330mm
P-trap,180mm Roughing-in

直冲式挂墙坐便器
尺寸:525*360*330mm
墙排,排污口离地180mm



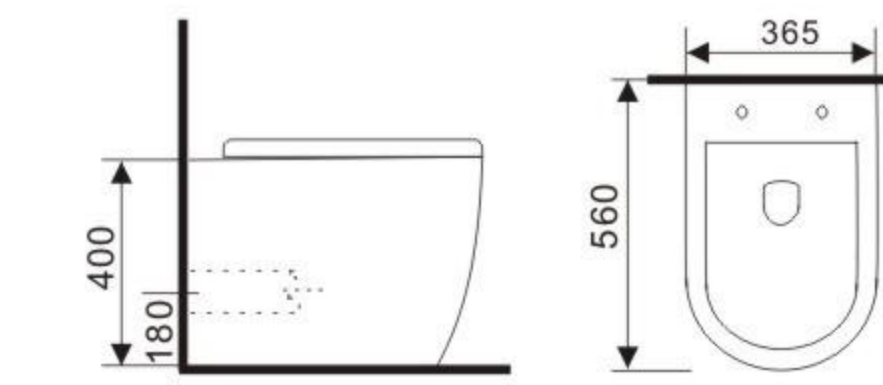
HS-2389B
Washdown piece toilet
Size:520*360*390mm
P-trap,180mm Roughing-in

直冲式落地坐便器
尺寸:520*360*390mm
墙排,排污口离地180mm



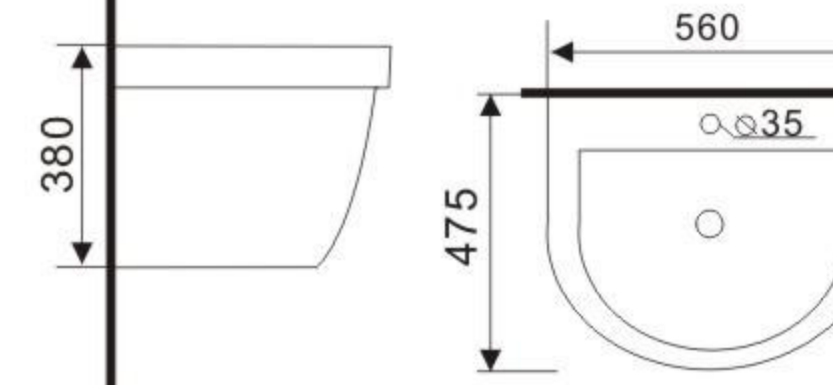
HS-2376B
Washdown piece toilet
Size:560*365*400mm
P-trap,180mm Roughing-in

直冲式落地坐便器
尺寸:560*365*400mm
墙排,排污口离地180mm



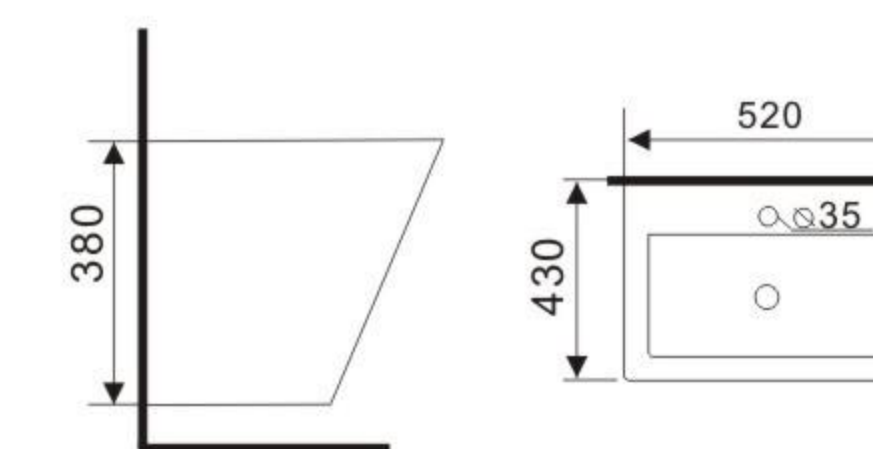
HS-9382
Wall-hung basin
Size:560*475*380mm
Fixing to wall with back

挂盆
尺寸:560*475*380mm
背靠墙式安装



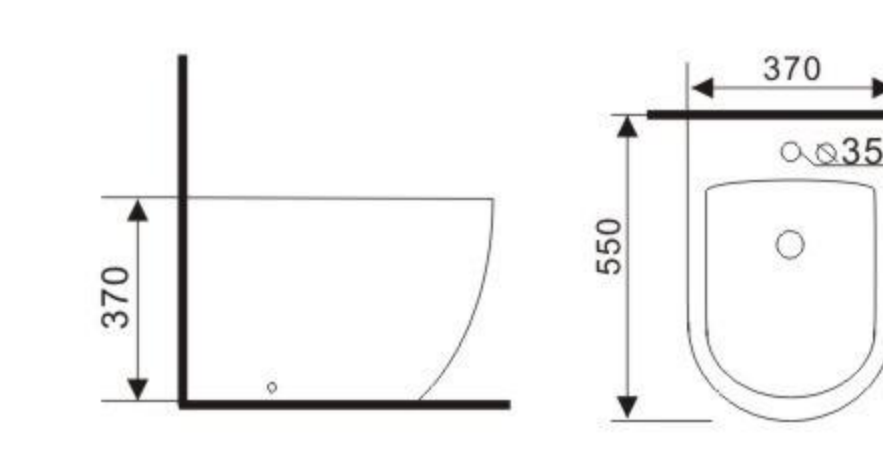
HS-7012
Wall-hung basin
Size:520*430*380mm
Fixing to wall with back

挂盆
尺寸:520*430*380mm
背靠墙式安装



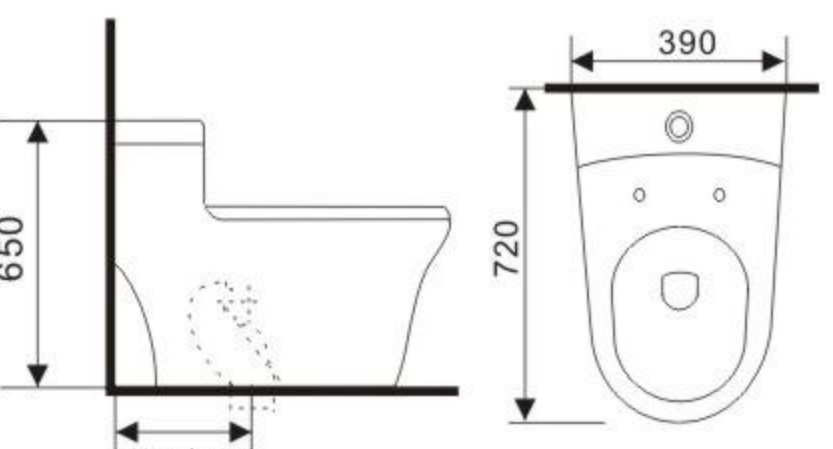
HS-5376
Bidet
Size:550*370*370mm
Fixing to wall with back

落地式妇洗器
尺寸:550*370*370mm
背靠墙式安装



HS-A170
Siphonic one-piece toilet
Size:720*390*650mm
S-trap,300.400mm
Roughing-in

虹吸式连体坐便器
尺寸:720*390*650mm
地排,排污口离墙300.400mm



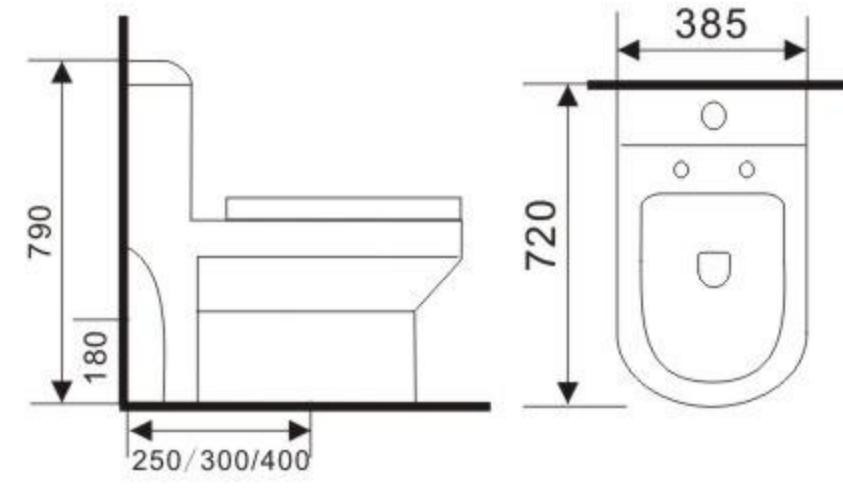
Enjoy your life



HS-8018A

Siphonic/Washdown one-piece toilet
Size:720*385*790mm
S-trap,250.300.400mm Roughing-in
P-trap,180mm Roughing-in

虹吸/直冲式连体坐便器
尺寸:720*385*790mm
地排,排污口离墙250.300.400mm
墙排,排污口离地180mm



HS-15C

Pedestal basin
Size:650*500*830mm
Fixing to wall with back

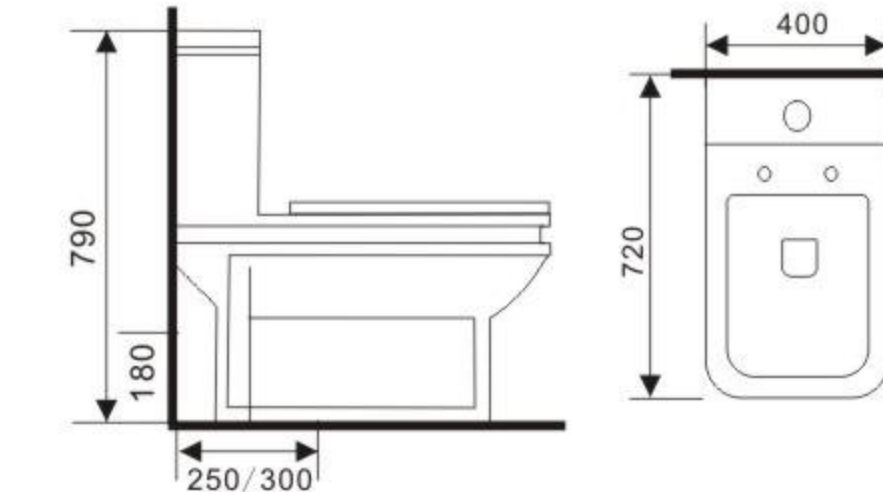
立柱盆
尺寸:650*500*830mm
背靠墙式安装



HS-8010AT

Washdown one-piece toilet
Size:720*400*790mm
S-trap,250.300mm Roughing-in
P-trap,180mm Roughing-in

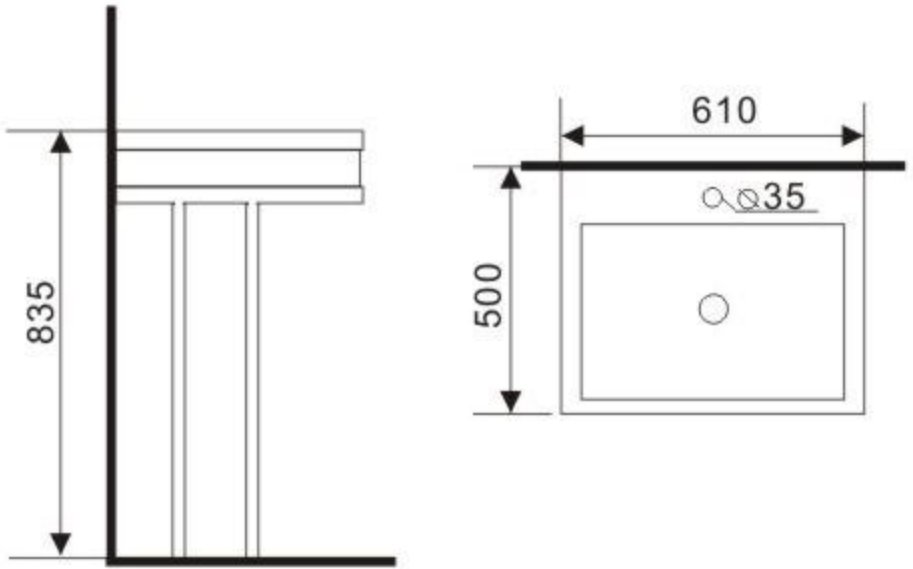
直冲式连体坐便器
尺寸:720*400*790mm
地排,排污口离墙250.300mm
墙排,排污口离地180mm



HS-8010BT

Pedestal basin
Size:610*500*835mm
Fixing to wall with back

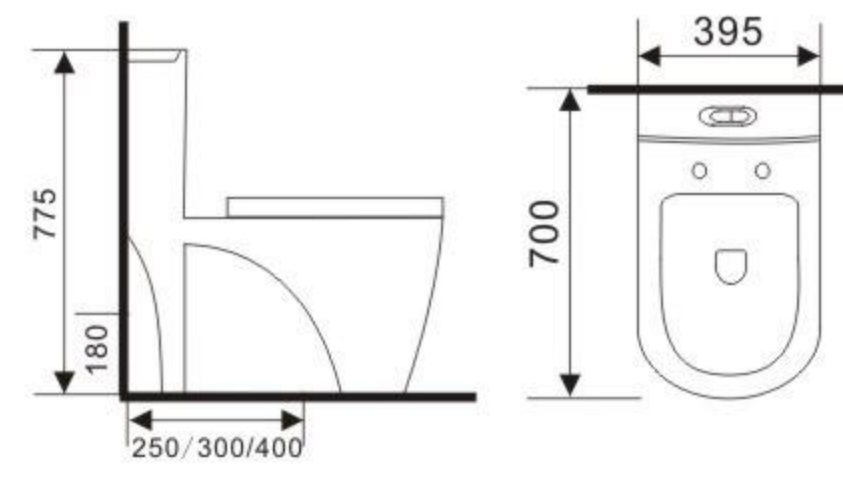
立柱盆
尺寸:610*500*835mm
背靠墙式安装



HS-8110A

Siphonic/Washdown one-piece toilet
Size:700*395*775mm
S-trap,250.300.400mm Roughing-in
P-trap,180mm Roughing-in

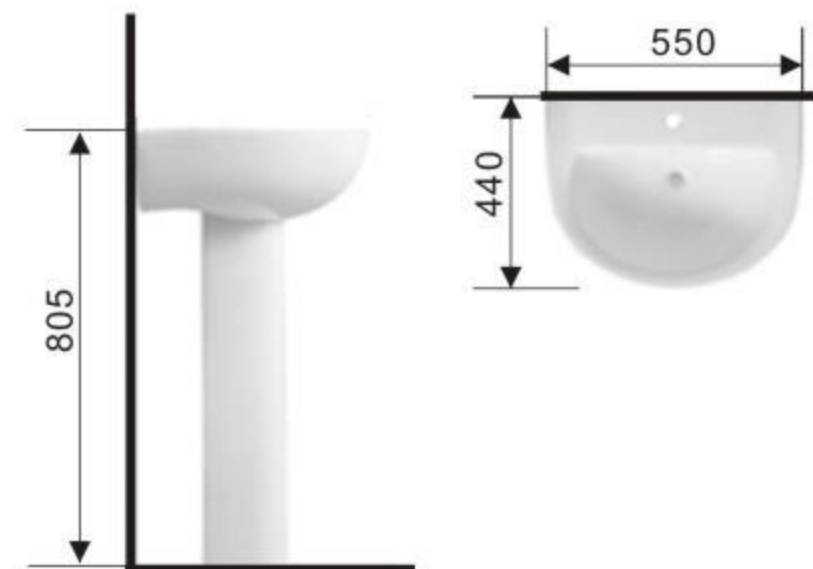
虹吸/直冲式连体坐便器
尺寸:700*395*775mm
地排,排污口离墙250.300.400mm
墙排,排污口离地180mm



HS-21014

Pedestal basin
Size:550*440*805mm
Fixing to wall with back

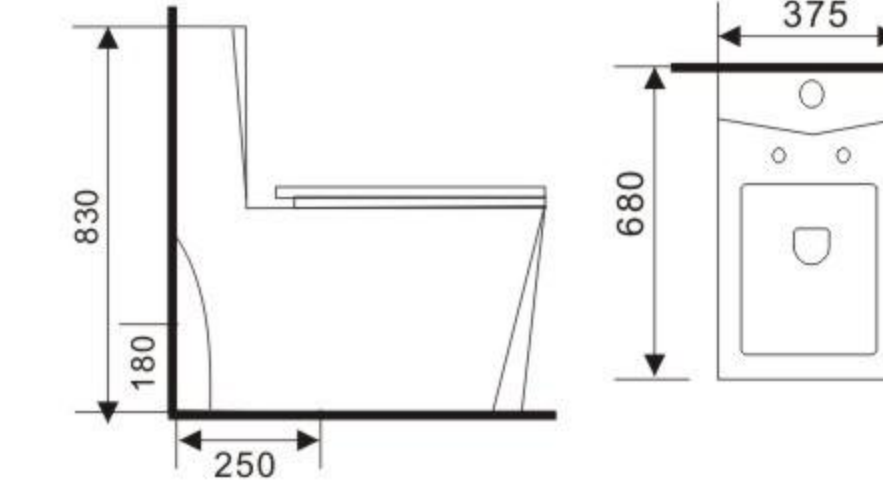
立柱盆
尺寸:550*440*805mm
背靠墙式安装



HS-8419

Washdown one-piece toilet
Size:680*375*830mm
S-trap,250mm Roughing-in
P-trap,180mm Roughing-in

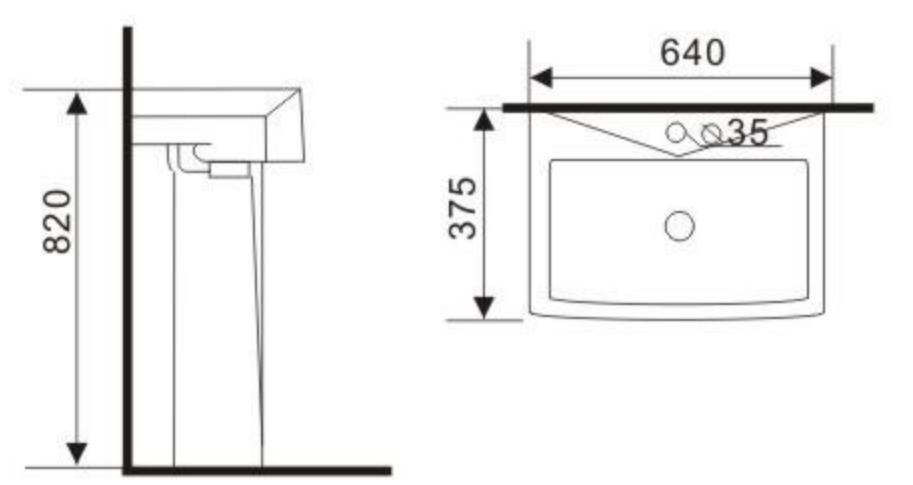
直冲式连体坐便器
尺寸:680*375*830mm
地排,排污口离墙250mm
墙排,排污口离地180mm



HS-8420

Pedestal basin
Size:640*375*820mm
Fixing to wall with back

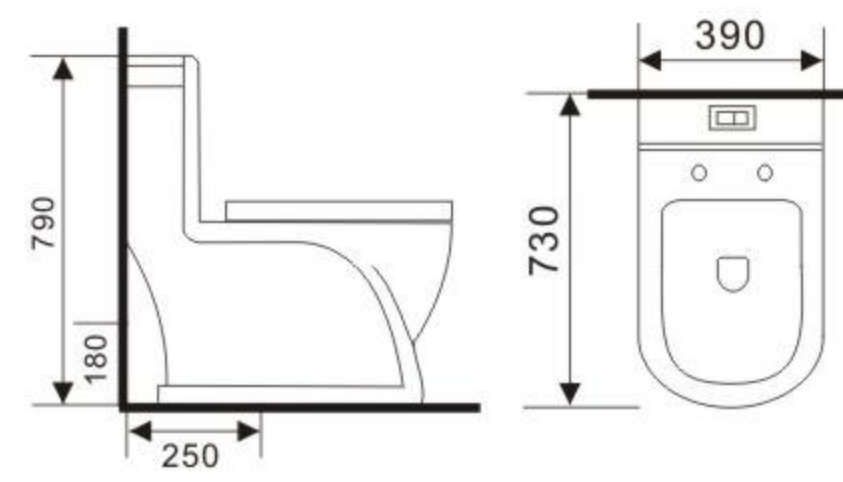
立柱盆
尺寸:640*375*820mm
背靠墙式安装



HS-8040A

Washdown one-piece toilet
Size:730*390*790mm
S-trap,250mm Roughing-in
P-trap,180mm Roughing-in

直冲式连体坐便器
尺寸:730*390*790mm
地排,排污口离墙250mm
墙排,排污口离地180mm



HS-21002

Pedestal basin
Size:610*470*810mm
Fixing to wall with back

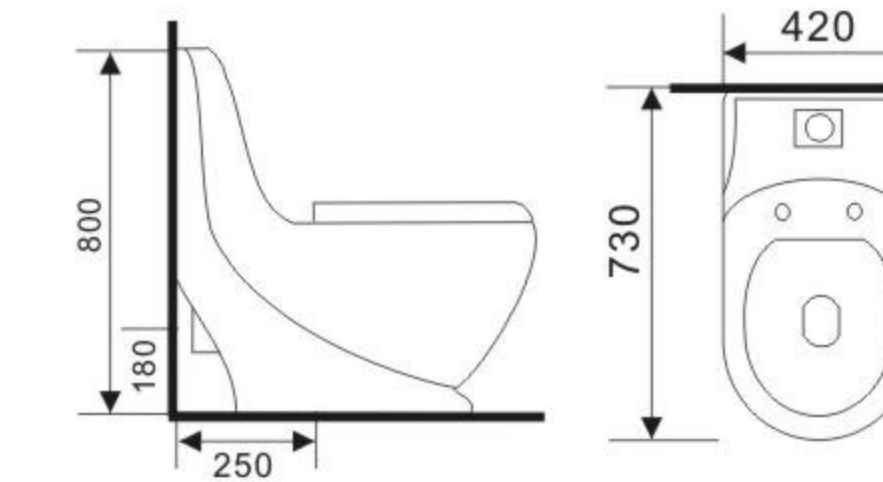
立柱盆
尺寸:610*470*810mm
背靠墙式安装



HS-8014A

Washdown one-piece toilet
Size:730*420*800mm
S-trap,250mm Roughing-in
P-trap,180mm Roughing-in

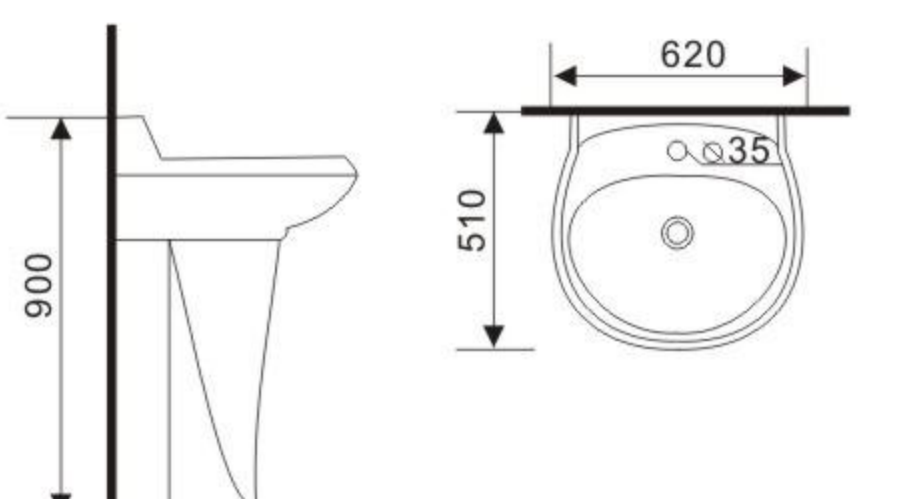
直冲式连体坐便器
尺寸:730*420*800mm
地排,排污口离墙250mm
墙排,排污口离地180mm



HS-8014B

Pedestal basin
Size:620*510*900mm
Fixing to wall with back

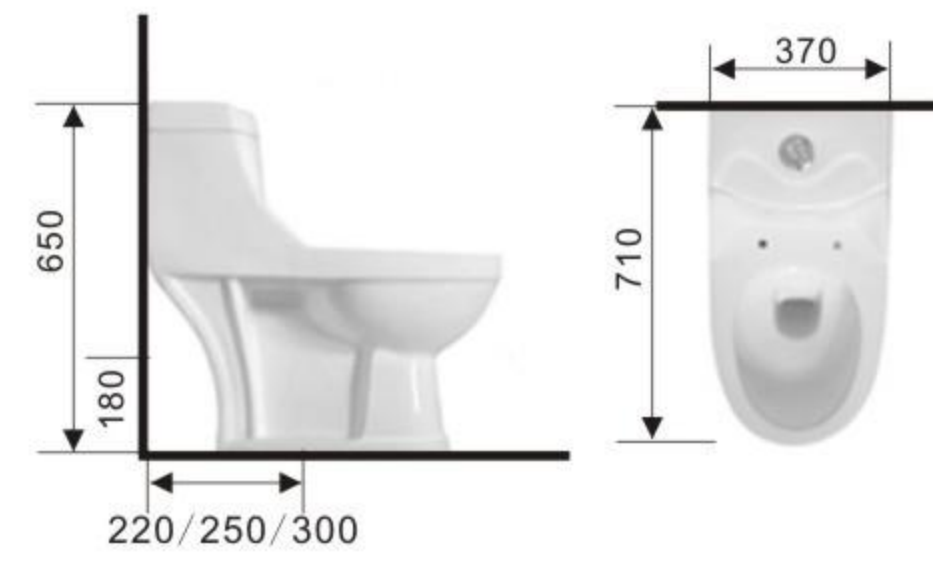
立柱盆
尺寸:620*510*900mm
背靠墙式安装



HS-8036A

Washdown one-piece toilet
Size:710*370*650mm
S-trap,220.250.300mm Roughing-in
P-trap,180mm Roughing-in

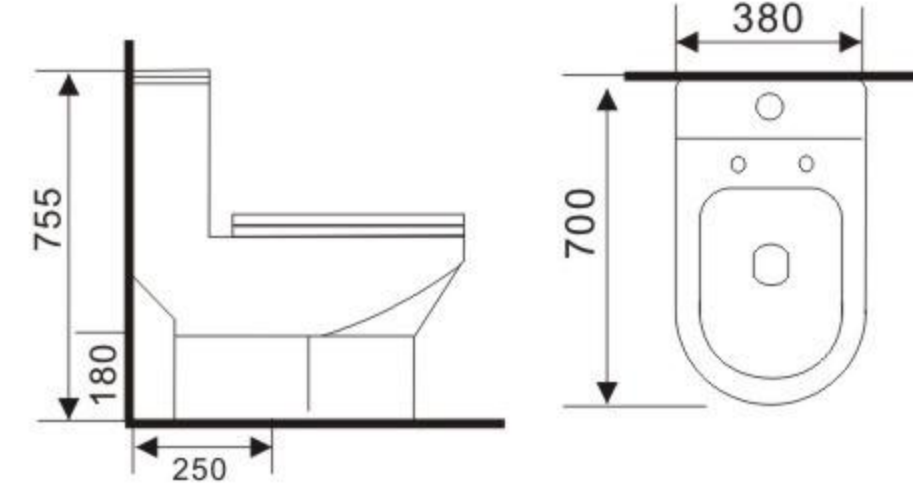
直冲式连体坐便器
尺寸:710*370*650mm
地排,排污口离墙220.250.300mm
墙排,排污口离地180mm



HS-2346

Washdown one-piece toilet
Size:700*380*755mm
S-trap,250mm Roughing-in
P-trap,180mm Roughing-in

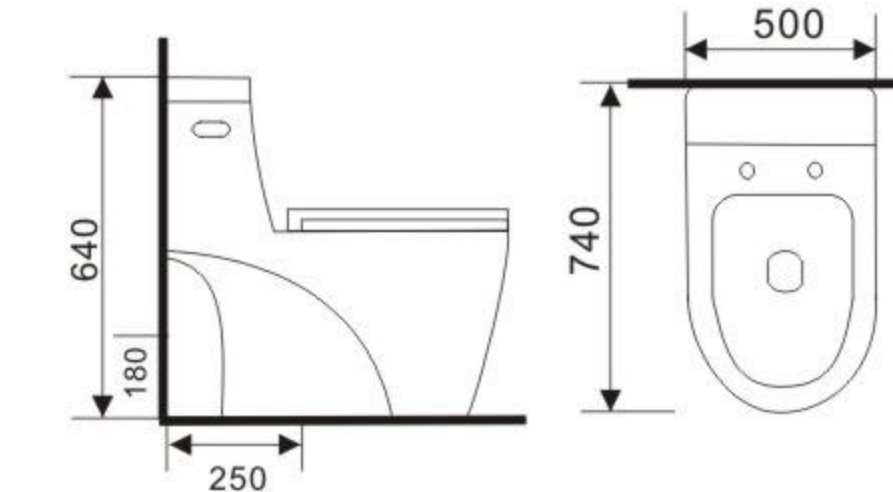
直冲式连体坐便器
尺寸:700*380*755mm
地排,排污口离墙250mm
墙排,排污口离地180mm



HS-8024A

Washdown one-piece toilet
Size:740*500*640mm
S-trap,250mm Roughing-in
P-trap,180mm Roughing-in

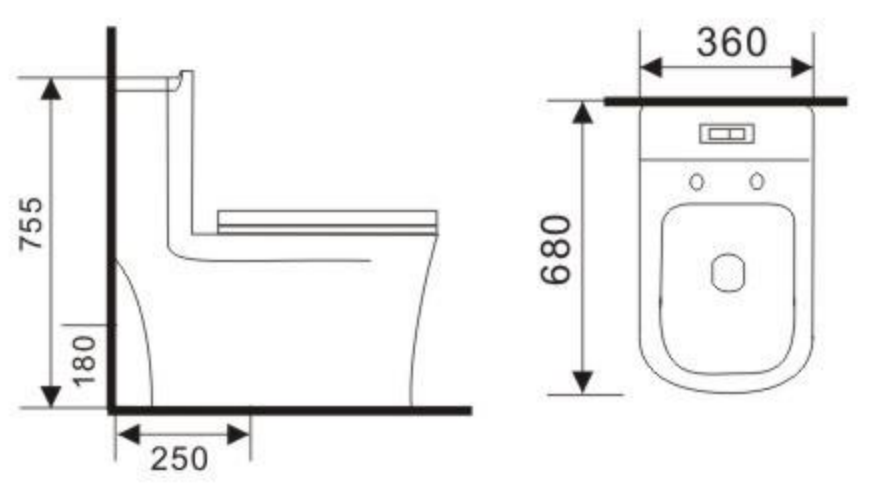
直冲式连体坐便器
尺寸:740*500*640mm
地排,排污口离墙250mm
墙排,排污口离地180mm



HS-9069

Washdown one-piece toilet
Size:680*360*755mm
S-trap,250mm Roughing-in
P-trap,180mm Roughing-in

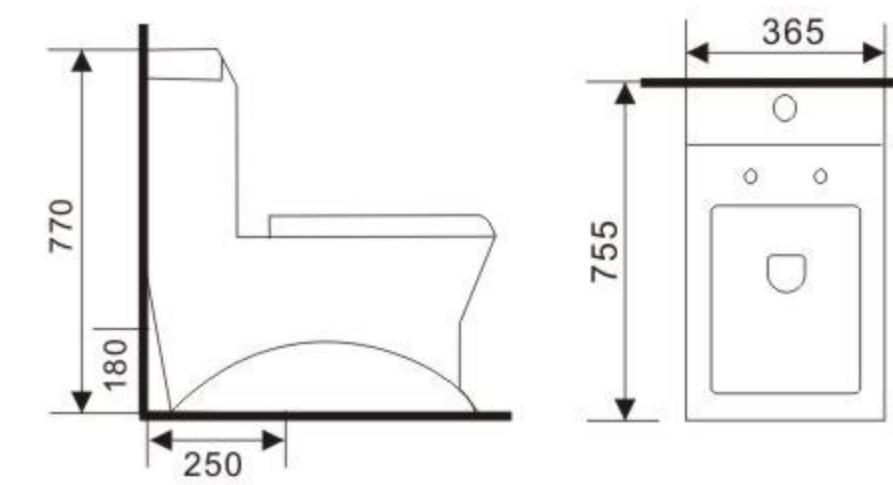
直冲式连体坐便器
尺寸:680*360*755mm
地排,排污口离墙250mm
墙排,排污口离地180mm



HS-9023

Washdown one-piece toilet
Size:755*365*770mm
S-trap,250mm Roughing-in
P-trap,180mm Roughing-in

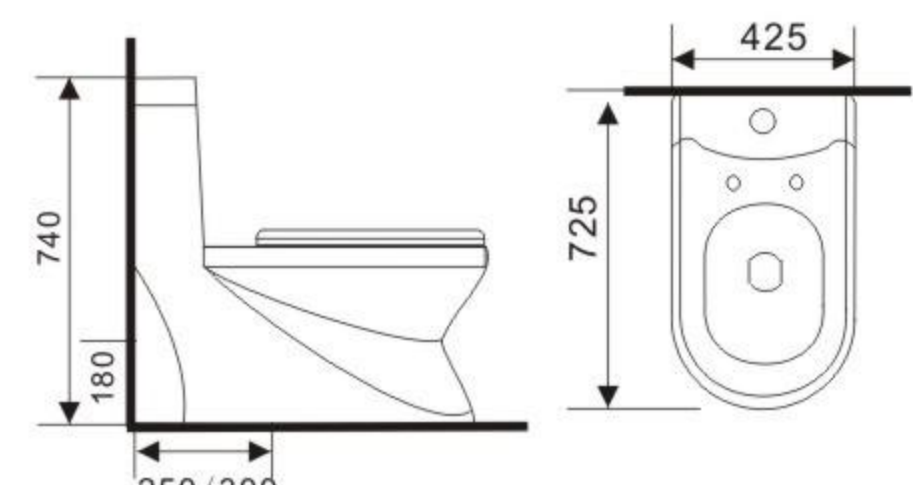
直冲式连体坐便器
尺寸:755*365*770mm
地排,排污口离墙250mm
墙排,排污口离地180mm



HS-9041

Washdown one-piece toilet
Size:725*425*740mm
S-trap,250.300mm
Roughing-in
P-trap,180mm Roughing-in

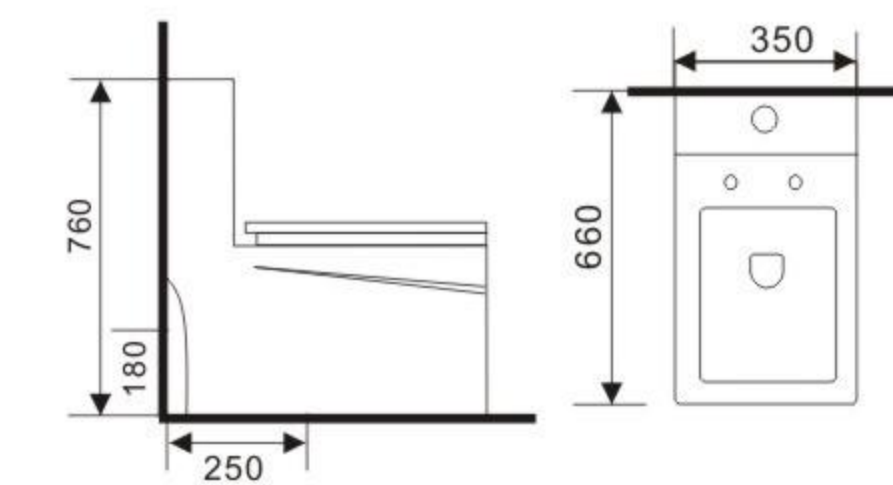
直冲式连体坐便器
尺寸:725*425*740mm
地排,排污口离墙250.300mm
墙排,排污口离地180mm



HS-9061

Washdown one-piece toilet
Size:660*350*760mm
S-trap,250mm Roughing-in
P-trap,180mm Roughing-in

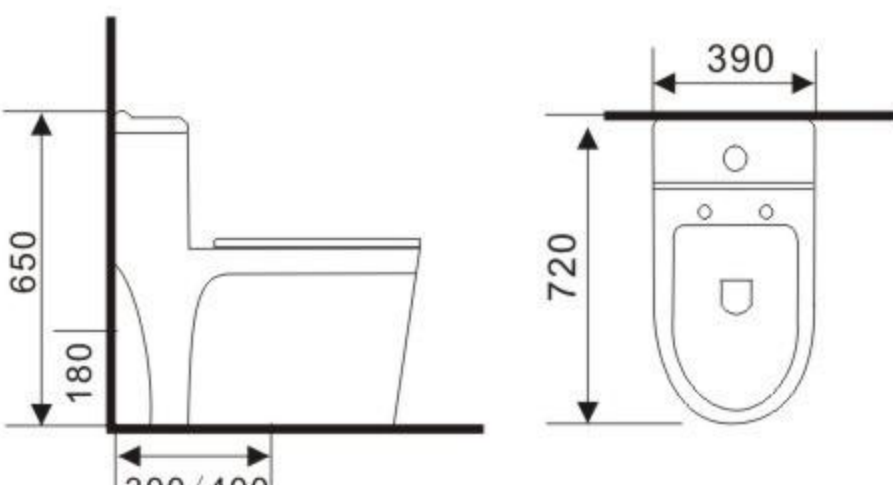
直冲式连体坐便器
尺寸:660*350*760mm
地排,排污口离墙250mm
墙排,排污口离地180mm



HS-2300

Siphonic one-piece toilet
Size:720*390*650mm
S-trap,300.400mm
Roughing-in

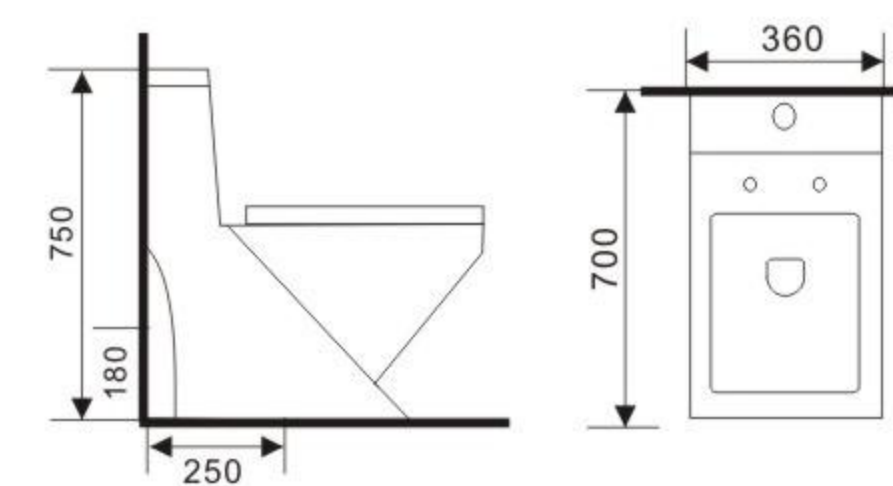
虹吸式连体坐便器
尺寸:720*390*650mm
地排,排污口离墙300.400mm



HS-8013A

Washdown one-piece toilet
Size:700*360*750mm
S-trap,250mm Roughing-in
P-trap,180mm Roughing-in

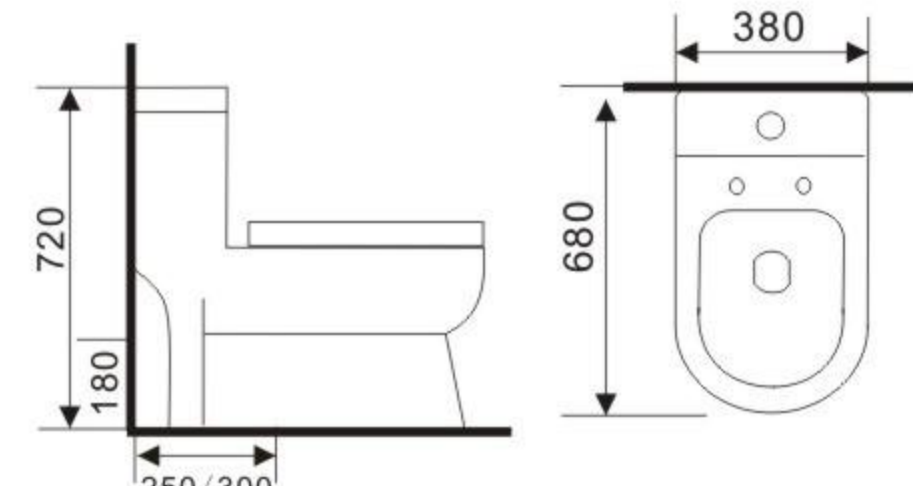
直冲式连体坐便器
尺寸:700*360*750mm
地排,排污口离墙250mm
墙排,排污口离地180mm



HS-2359

Washdown one-piece toilet
Size:680*380*720mm
S-trap,300mm Roughing-in
P-trap,180mm Roughing-in

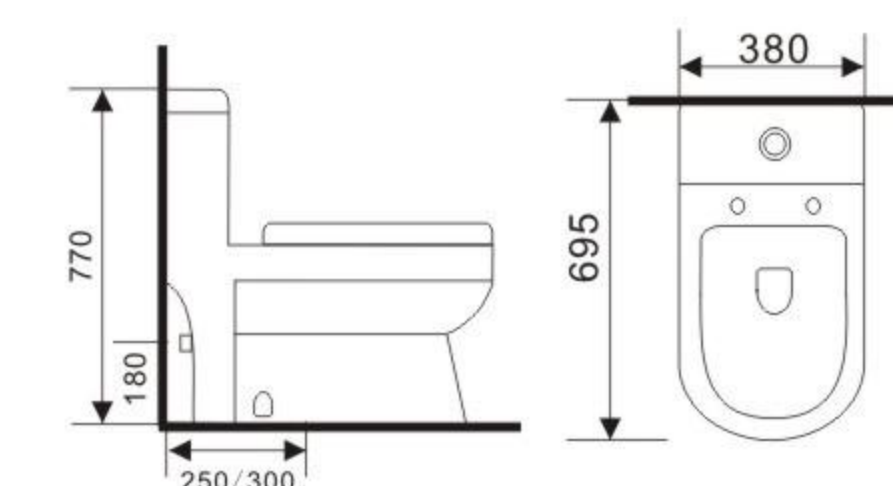
直冲式连体坐便器
尺寸:680*380*720mm
地排,排污口离墙300mm
墙排,排污口离地180mm



HS-A2347

Washdown one-piece toilet
Size:695*380*770mm
S-trap,250.300mm Roughing-in
P-trap,180mm Roughing-in

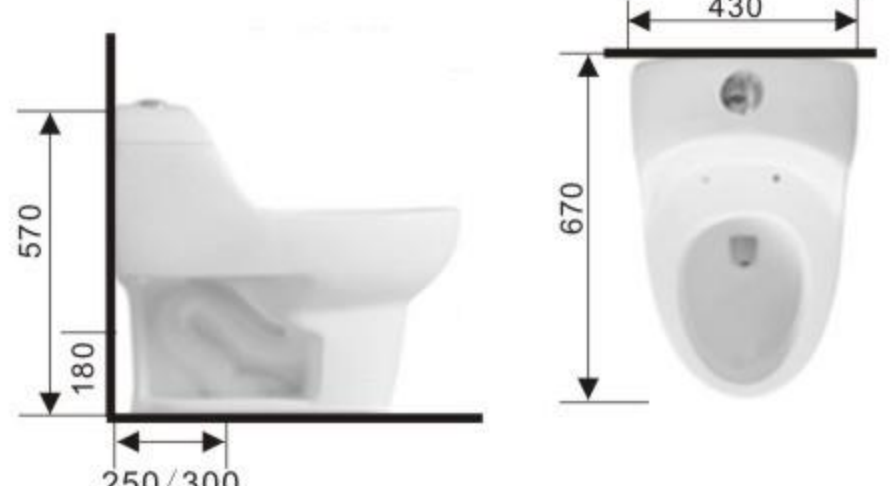
直冲式连体坐便器
尺寸:695*380*770mm
地排,排污口离墙250.300mm
墙排,排污口离地180mm



HS-3132

Siphonic one-piece toilet
Size:670*430*570mm
S-trap,250.300mm
Roughing-in

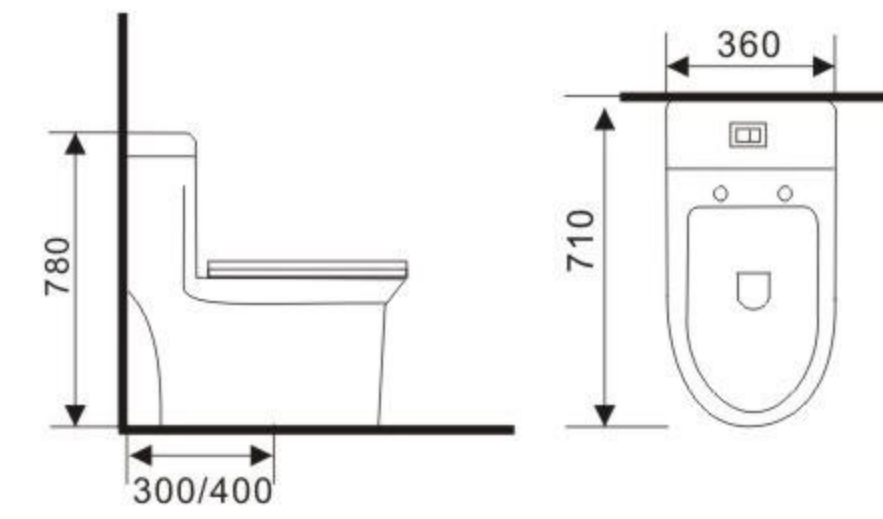
虹吸式连体坐便器
尺寸:670*430*570mm
地排,排污口离墙250.300mm



HS-A2319

Siphonic one-piece toilet
Size:710*360*780mm
S-trap,300.400mm Roughing-in

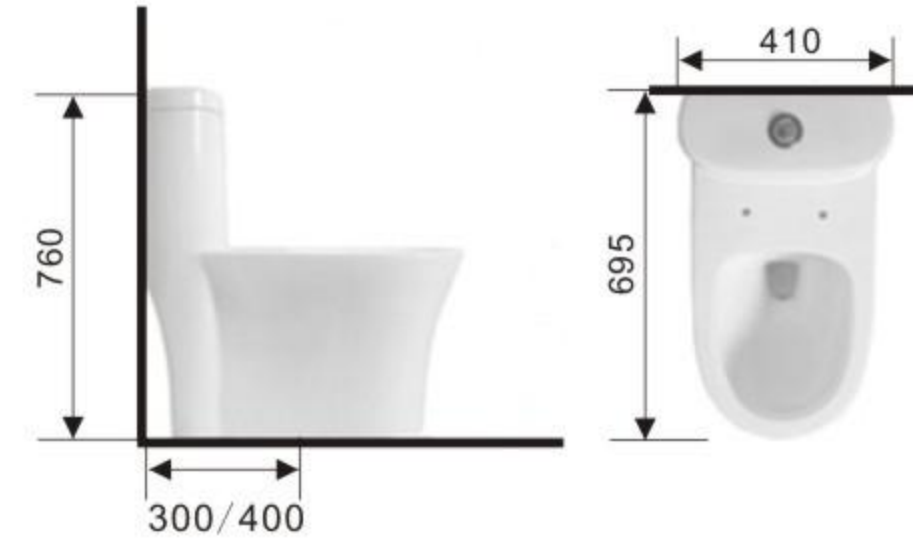
虹吸式连体坐便器
尺寸:710*360*780mm
地排,排污口离墙300.400mm



HS-A2309

Washdown one-piece toilet
Size:695*410*760mm
S-trap,300.400mm Roughing-in

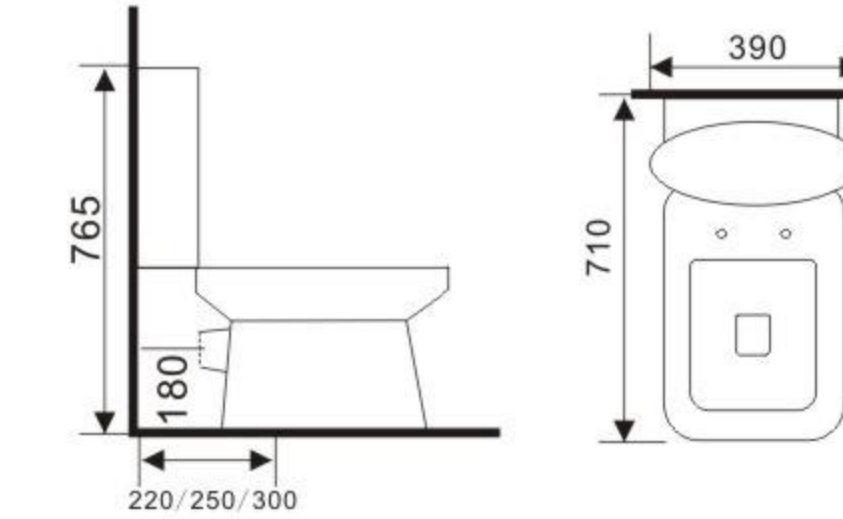
直冲式连体坐便器
尺寸:695*410*760mm
地排,排污口离墙300.400mm



HS-2170AT

Washdown two-piece toilet
Size:710*390*765mm
S-trap,220.250.300mm Roughing-in
P-trap,180mm Roughing-in

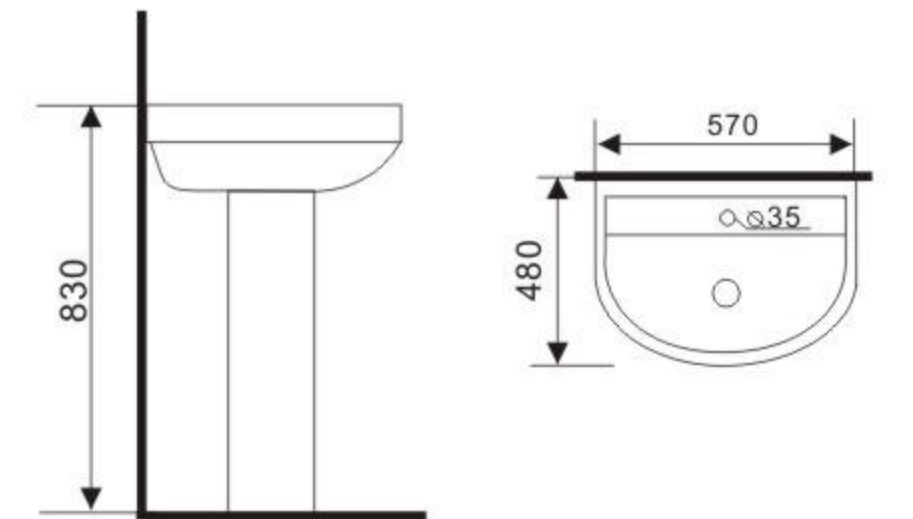
直冲式分体坐便器
尺寸:710*390*765mm
地排,排污口离墙220.250.300mm
墙排,排污口离地180mm



HS-N13

Pedestal basin
Size:570*480*830mm
Fixing to wall with back

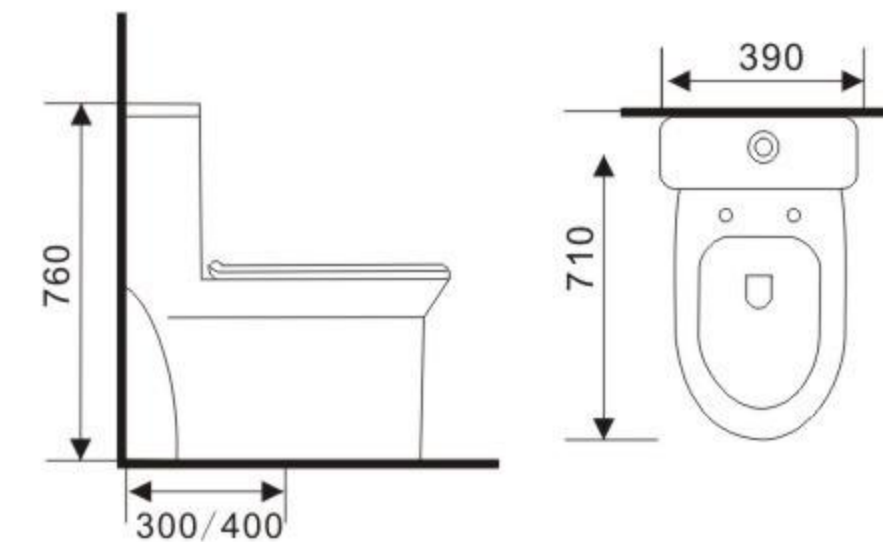
立柱盆
尺寸:570*480*830mm
背靠墙式安装



HS-A2323

Siphonic one-piece toilet
Size:710*390*760mm
S-trap,300.400mm Roughing-in

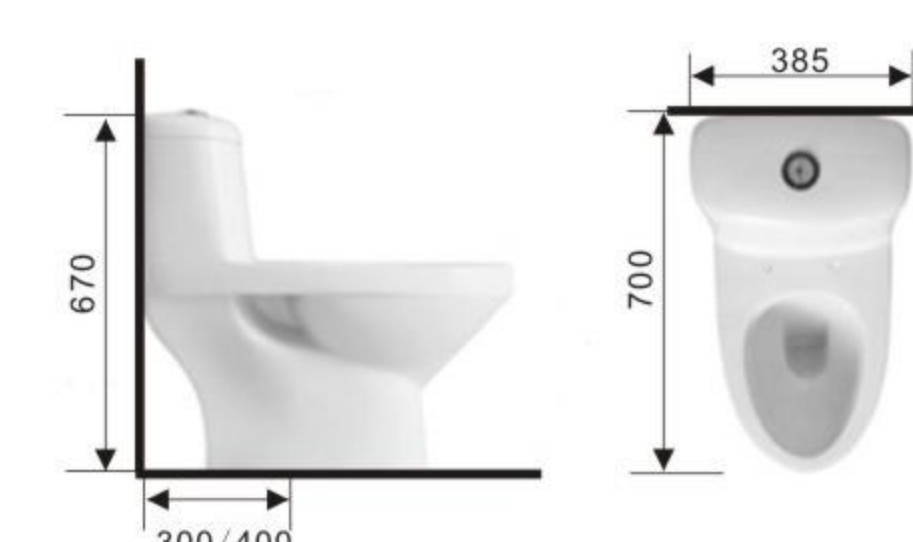
虹吸式连体坐便器
尺寸:710*390*760mm
地排,排污口离墙300.400mm



HS-2084

Washdown one-piece toilet
Size:700*385*670mm
S-trap,300.400mm Roughing-in

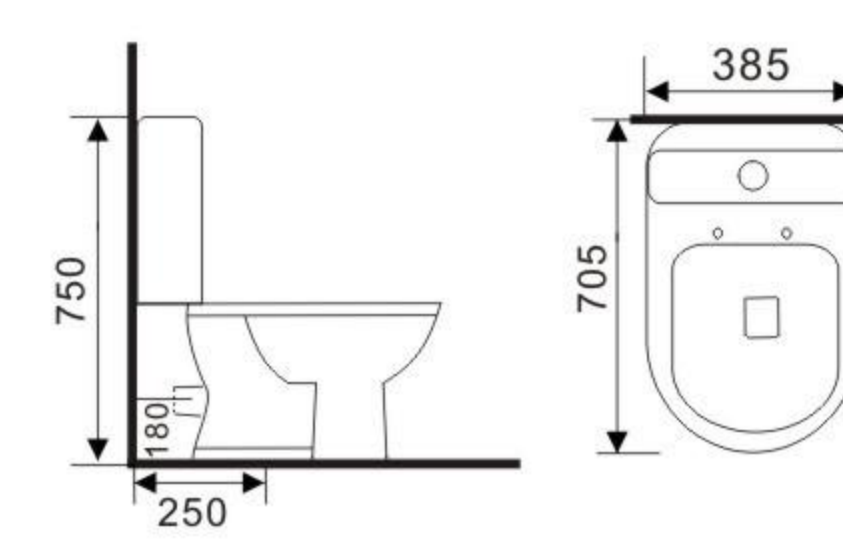
直冲式连体坐便器
尺寸:700*385*670mm
地排,排污口离墙300.400mm



HS-B192

Washdown two-piece toilet
Size:705*385*750mm
S-trap,250mm Roughing-in
P-trap,180mm Roughing-in

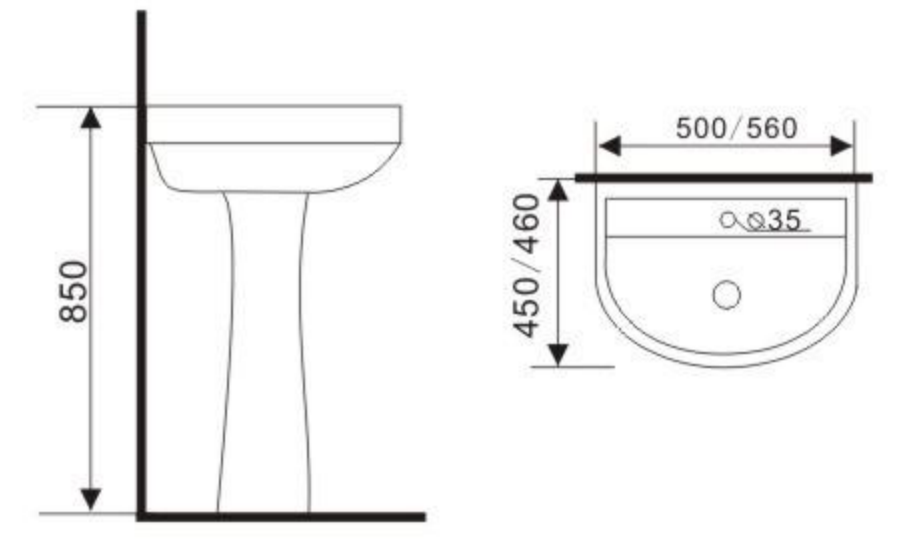
直冲式分体坐便器
尺寸:705*385*750mm
地排,排污口离墙250mm
墙排,排污口离地180mm



HS-D188

Pedestal basin
Size:500*450*850mm
560*460*850mm
Fixing to wall with back

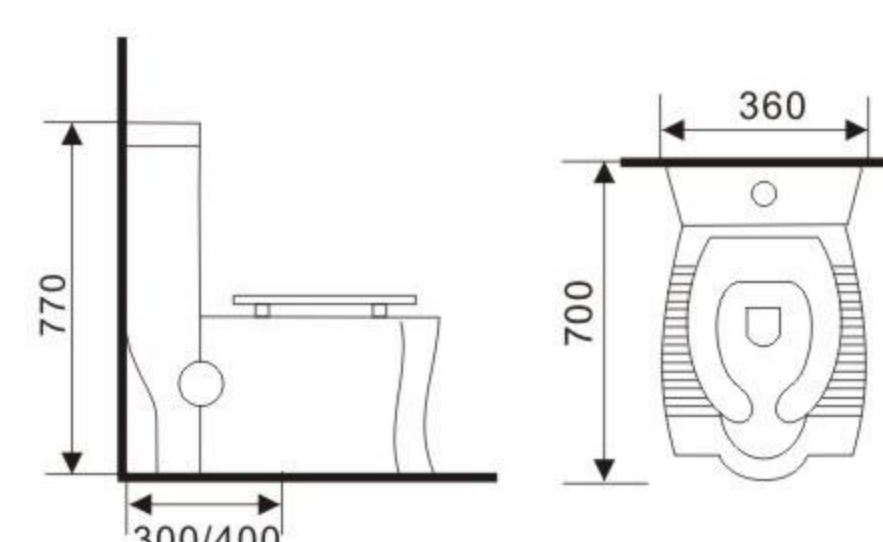
立柱盆
尺寸:500*450*850mm
560*460*850mm
背靠墙式安装



HS-8066A

Washdown one-piece toilet
Size:700*360*770mm
S-trap,300.400mm Roughing-in

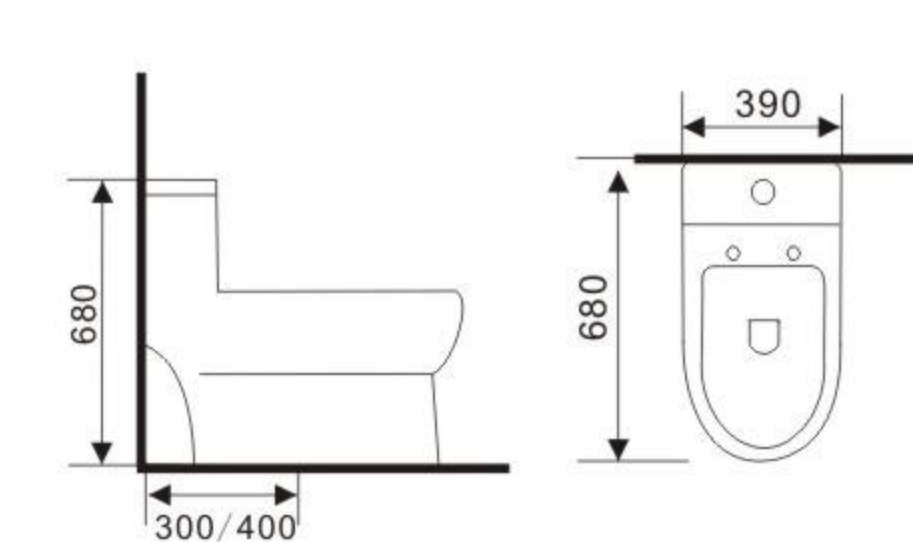
直冲式蹲坐双用连体坐便器
尺寸:700*360*770mm
地排,排污口离墙300.400mm



HS-T4211

Washdown one-piece toilet
Size:680*390*680mm
S-trap,200.250mm Roughing-in

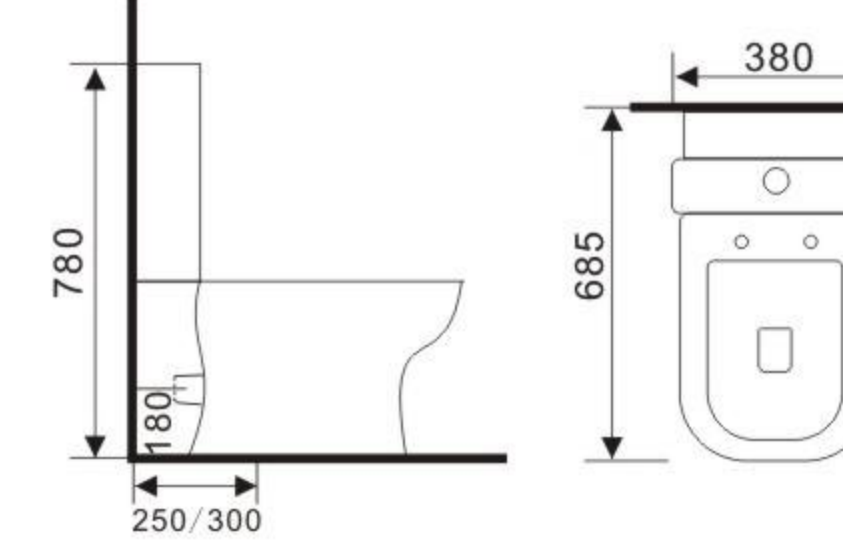
直冲式连体坐便器
尺寸:680*390*680mm
地排,排污口离墙200.250mm



HS-9750T

Washdown two-piece toilet
Size:685*380*780mm
S-trap,250.300mm Roughing-in
P-trap,180mm Roughing-in

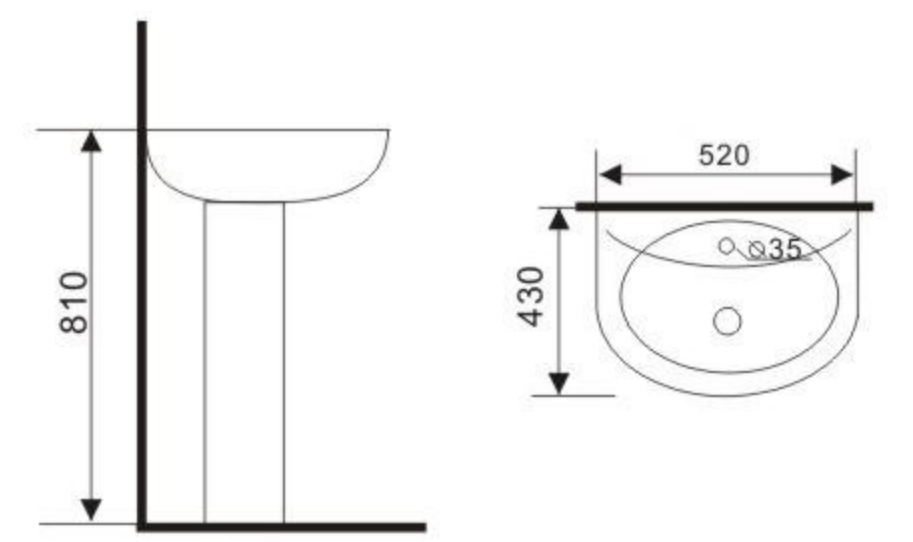
直冲式分体坐便器
尺寸:685*380*780mm
地排,排污口离墙250.300mm
墙排,排污口离地180mm



HS-N513

Pedestal basin
Size:520*430*810mm
Fixing to wall with back

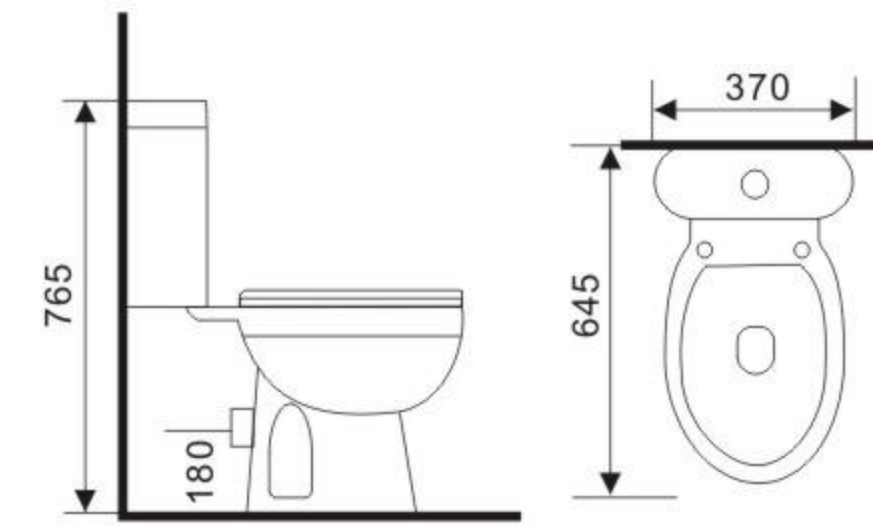
立柱盆
尺寸:520*430*810mm
背靠墙式安装





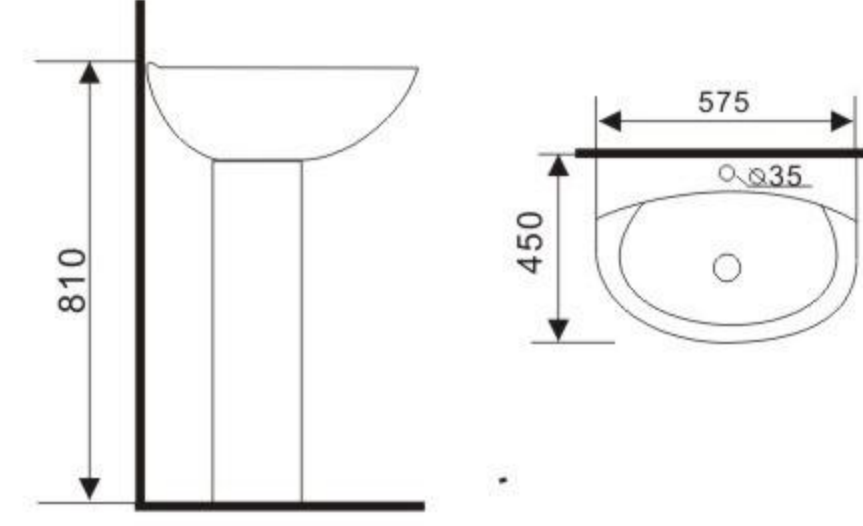
HS-L2008
Washdown two-piece toilet
Size:645*370*765mm
P-trap,180mm Roughing-in

直冲式分体坐便器
尺寸:645*370*765mm
墙排,排污口离地180mm



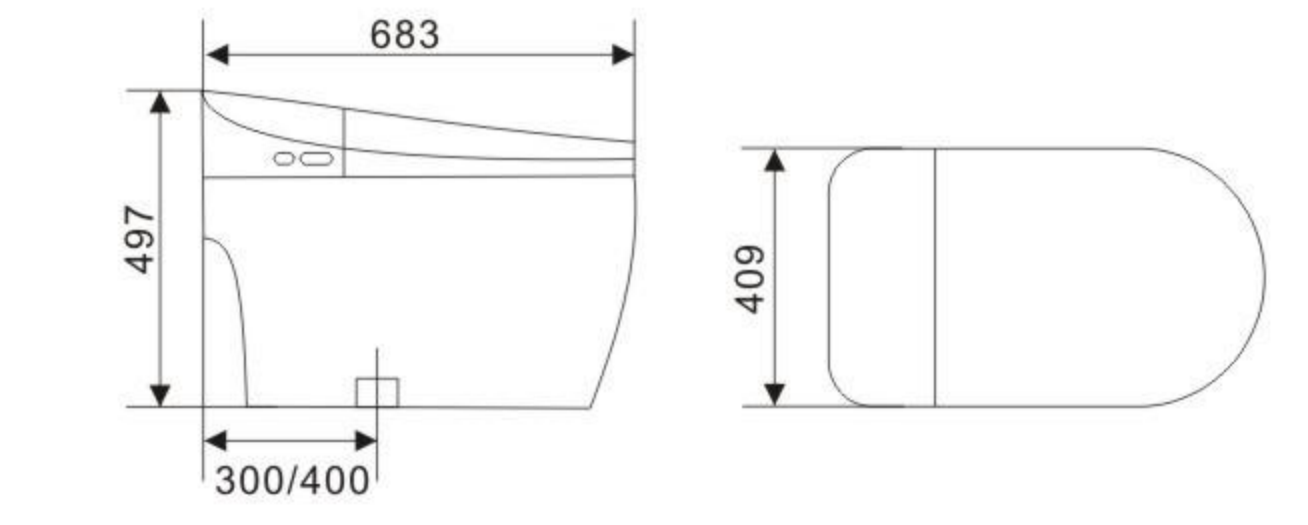
HS-N108
Pedestal basin
Size:575*450*810mm
Fixing to wall with back

立柱盆
尺寸:575*450*810mm
背靠墙式安装



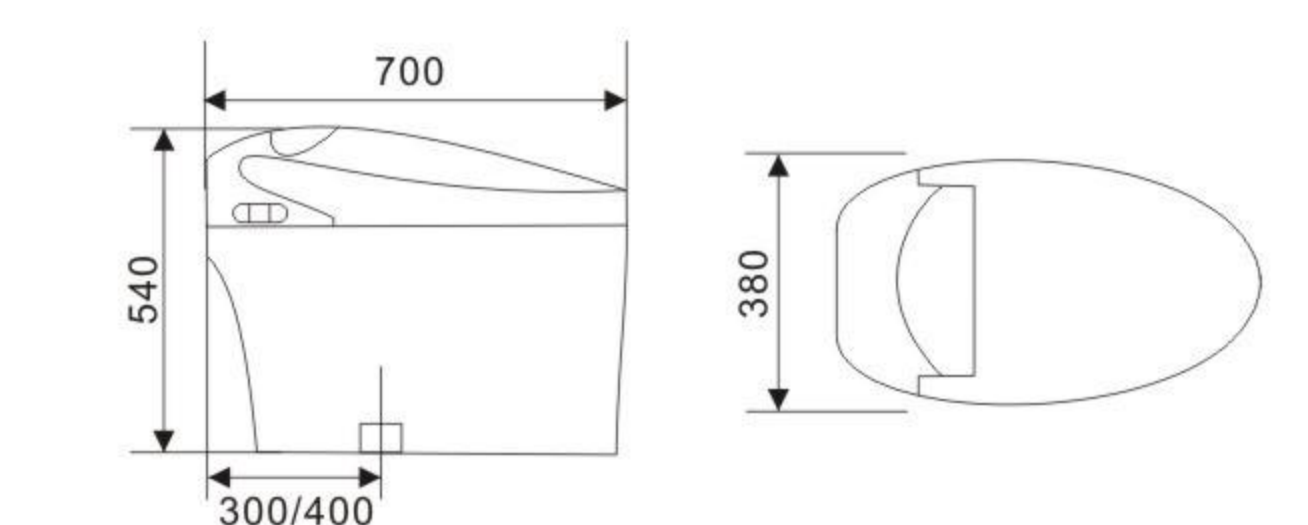
脚感冲水
女性清洗 臀部清洗 助便功能 暖风烘干 强弱按摩 移动按摩
水温调节 风温调节 座温调节 喷头自洁 喷头调节 不粘脚耐脏
座温加热 座圈感应 漏电保护 静音降噪 减压装置 智能遥控
无水箱冲水设计 | 自动/遥控/无电冲水(选配) | LED灯夜光按键
三档柔光照明

HS-2012A(金/白/银/红)
智能坐便器
Intelligent toilet
Size:683*409*497mm
S-trap,300.400mm Roughing-in
地排,排污口离墙300.400mm
无水箱即热式
电压:110-220V



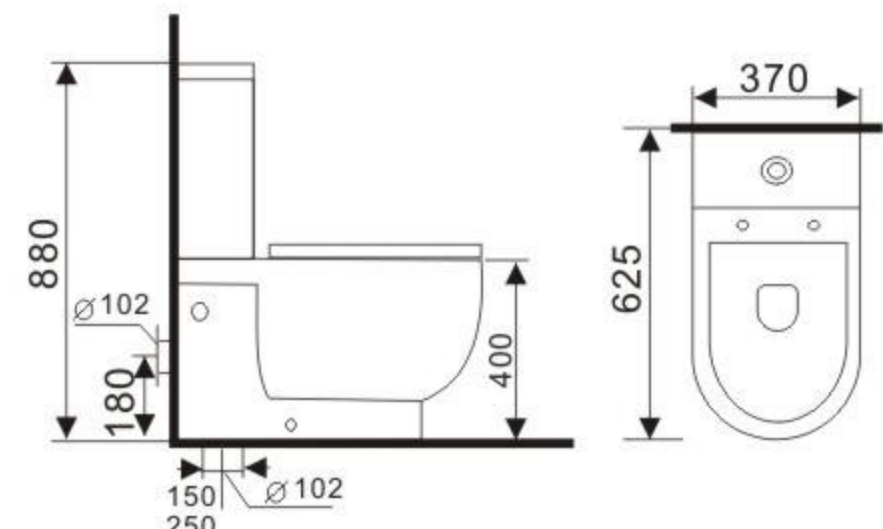
脚感冲水
女性清洗 臀部清洗 助便功能 暖风烘干 强弱按摩 移动按摩
水温调节 风温调节 座温调节 喷头自洁 喷头调节 无电冲水
夜光照明 无线遥控 漏电保护 脚感冲水(选配)

HS-2035A(白/黑)
智能坐便器
Intelligent toilet
Size:700*380*540mm
S-trap,300.400mm Roughing-in
地排,排污口离墙300.400mm
无水箱即热式
电压:110-220V



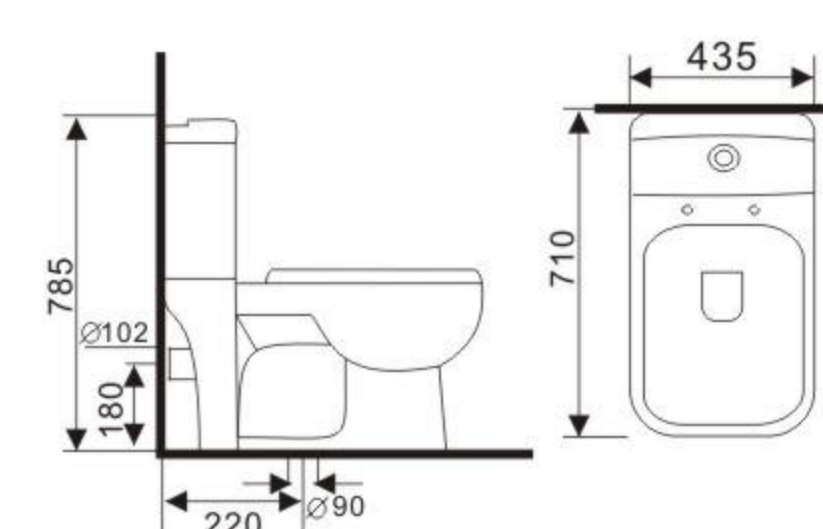
HS-TMS-2591
Washdown two-piece toilet
Size:625*370*880mm
S-trap,150-250mm Roughing-in
P-trap,180mm Roughing-in

直冲式分体坐便器
尺寸:625*370*880mm
地排,排污口离墙150-250mm
墙排,排污口离地180mm



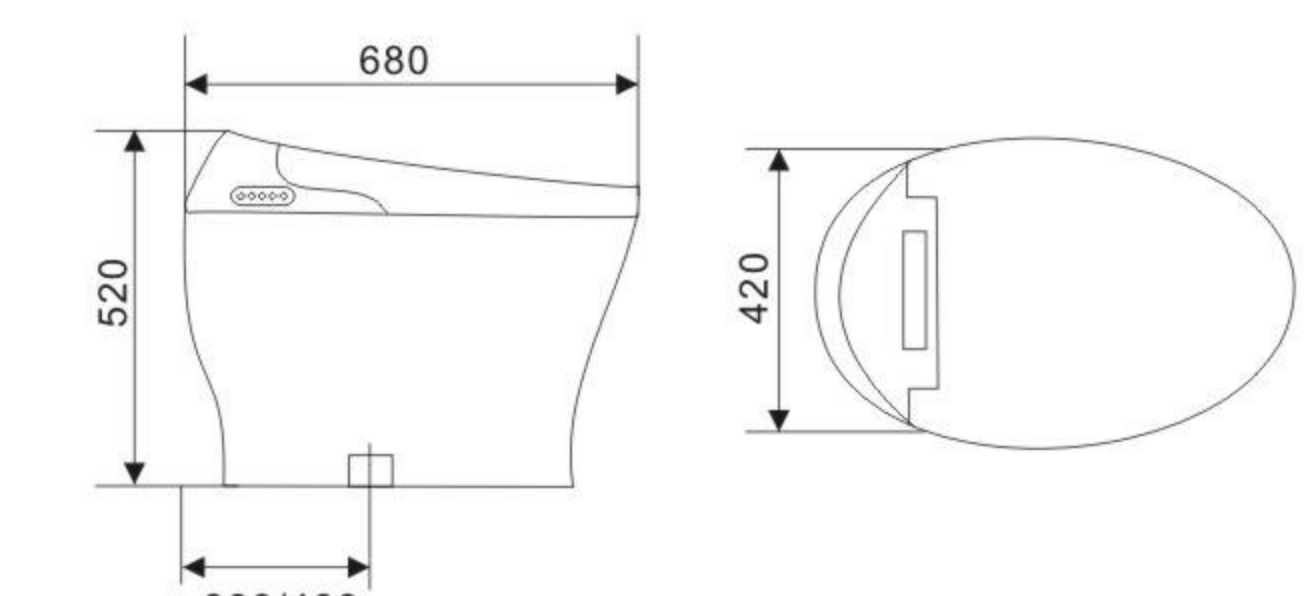
HS-TMS-8600
Washdown two-piece toilet
Size:710*435*785mm
S-trap,220mm Roughing-in
P-trap,180mm Roughing-in

直冲式分体坐便器
尺寸:710*435*785mm
地排,排污口离墙220mm
墙排,排污口离地180mm



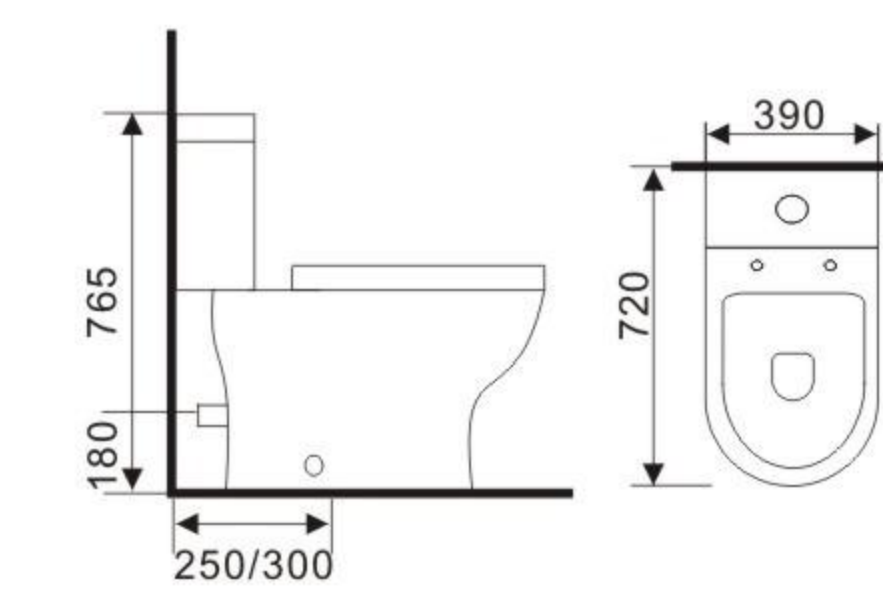
脚感冲水
女性清洗 臀部清洗 助便功能 暖风烘干 水势调节 移动按摩
水温调节 湿润坐圈 座温调节 喷头自洁 喷头调节 单管冲洗
座温加热 座圈感应 漏电保护 侧面按键 恒温清洗 无限遥控
无水箱冲水设计 | 手动/一键/无电冲水 | LED液晶显示屏/液晶照明

HS-ZA666
智能坐便器
Intelligent toilet
Size:680*420*520mm
S-trap,300.400mm Roughing-in
地排,排污口离墙300.400mm
无水箱即热式



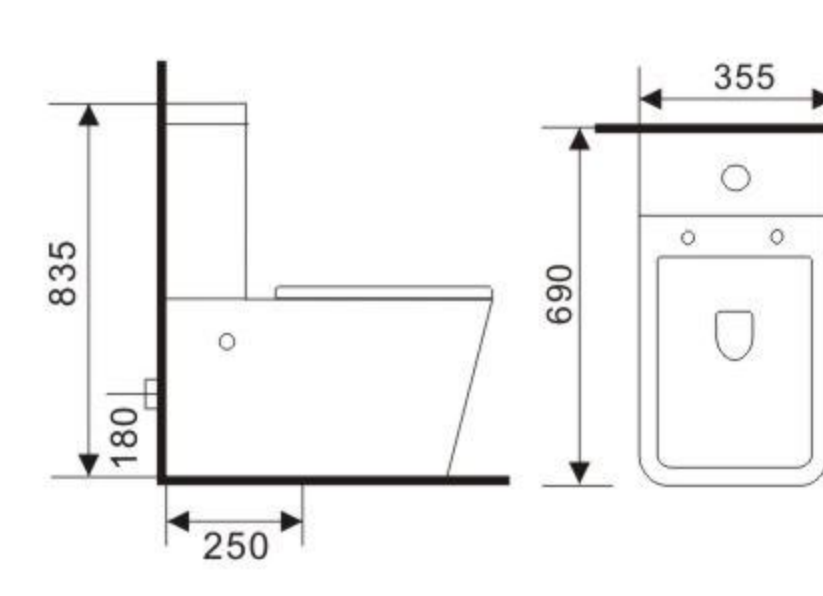
HS-9014AT
Washdown two-piece toilet
Size:720*390*765mm
S-trap,250.300mm Roughing-in
P-trap,180mm Roughing-in

直冲式分体坐便器
尺寸:720*390*765mm
地排,排污口离墙250.300mm
墙排,排污口离地180mm



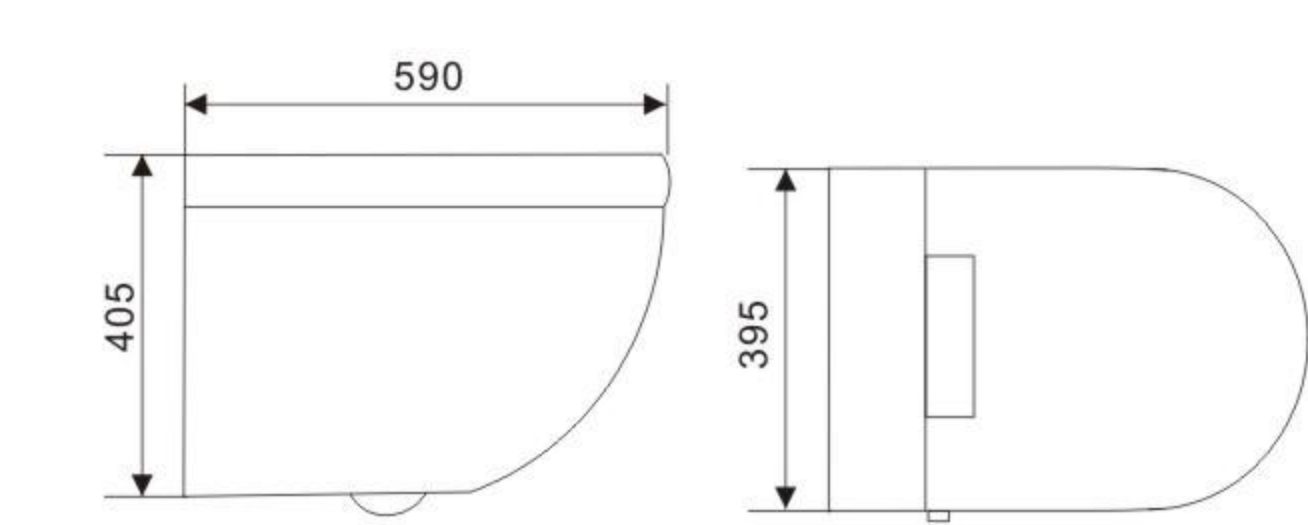
HS-2015A
Washdown two-piece toilet
Size:690*355*835mm
S-trap,250mm Roughing-in
P-trap,180mm Roughing-in

直冲式分体坐便器
尺寸:690*355*835mm
地排,排污口离墙250mm
墙排,排污口离地180mm



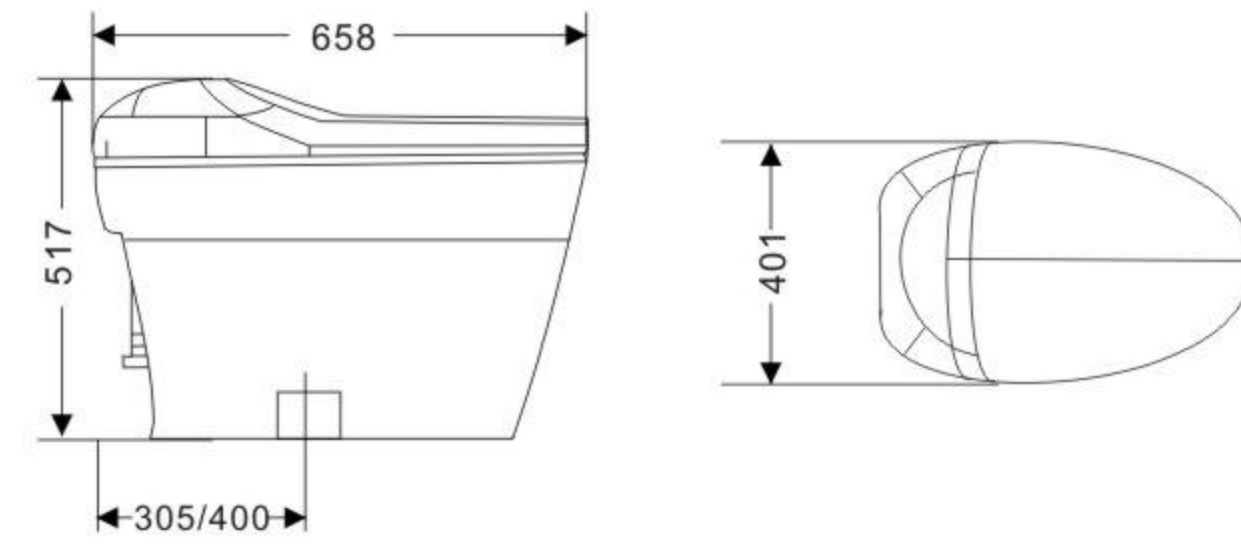
自动翻盖
女性清洗 臀部清洗 暖风烘干 强弱按摩 移动按摩 水温调节
风温调节 座温调节 喷头自洁 喷头调节 漏电保护 自动翻盖

HS-2032C(需外配水箱)
智能挂墙坐便器
Intelligent toilet
Size:590*405*395mm
P-trap,墙排
无水箱即热式
电压:220V





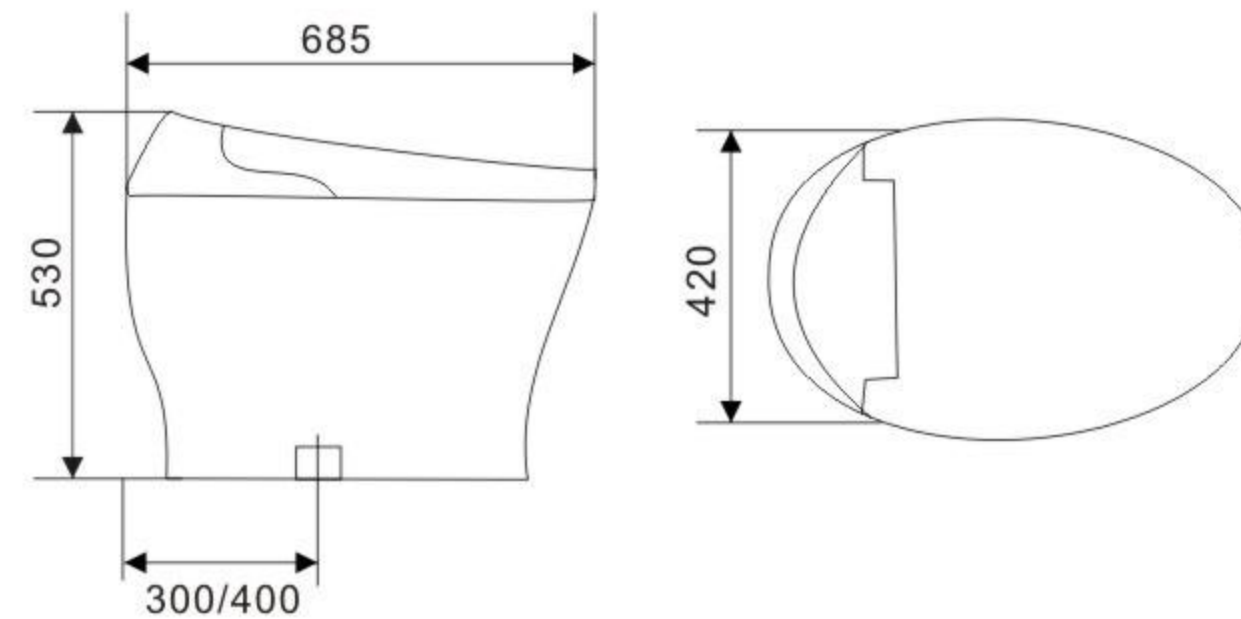
HS-OL-772D
智能坐便器
Intelligent toilet
Size:658*401*517mm
S-trap,305.400mm Roughing-in
地排,排污口离墙300.400mm
加热方式:储蓄式
电压: 220V



女性清洗|臀部清洗|自动除臭|暖风烘干|水压调节|往复/强弱/冷热按摩
水温调节|风速调节|保温便座|喷头自洁|喷头调节|不锈钢喷嘴
水温加热|座圈缓降|漏电保护|座圈可调|便捷按钮|智能感应开合
瞬间加热|手动/遥控/自动冲水|节水、照明



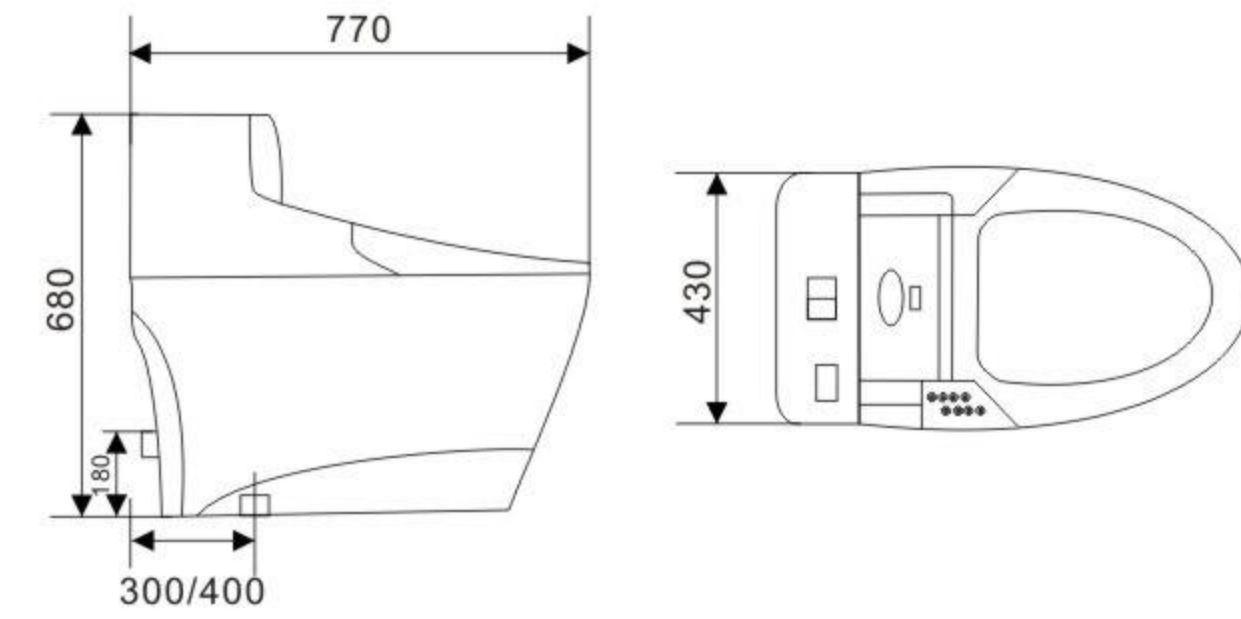
HS-OL-766
智能坐便器
Intelligent toilet
Size:685*420*530mm
S-trap,300.400mm Roughing-in
地排,排污口离墙300.400mm
加热方式:储蓄式
电压: 220V



女性清洗|臀部清洗|除臭功能|暖风烘干|水压调节|气囊按摩
水温调节|风速调节|保温便座|喷头自洁|喷头调节|按键操作
阻尼缓降|一键功能|漏电保护|触摸带显示|LED状态指示灯
手动/停电/自动冲水



HS-OL-745
智能坐便器
Intelligent toilet
Size:770*430*680mm
S-trap,300.400mm Roughing-in
P-trap,180mm Roughing-in
地排,排污口离墙300.400mm
墙排,排污口离地180mm



女性清洗|臀部清洗|自动除臭|纳米抗菌|保温座圈|移动按摩
水温调节|风速调节|保温便座|喷头自洁|水压调节|暖风烘干
气囊按摩|漏电保护|微光照明|豪华遥控器|遥控/自动冲水
LED状态指示灯|节水型坐便器|自动节水、预约节水
自动/遥控翻盖|人体感应|韩国喷嘴、转换器、水过滤器
Mp3音乐播放功能

智能盖板
便捷操控

HS-OL-X101



完美搭配

完美搭配

HS-OL-X102



HS-OL-X5A



HS-OL-X101
智能盖板Intelligent toilet cover
Size:510*380*145mm

HS-OL-X102
智能盖板Intelligent toilet cover
Size:510*380*145mm

HS-OL-X5A
智能盖板Intelligent toilet cover
Size:510*390*170mm



HS-M027
虹吸式电动脉冲坐便器
尺寸:580*380*450mm
地排,排污口离墙300.350.400mm



HS-M032
虹吸式电动脉冲坐便器
尺寸:580*360*400mm
地排,排污口离墙300.350.400mm

旋涡俯冲清洗



蹲坐两用

HS-M054
Siphonic electric pulse toilet
Size:620*400*330mm
S-trap,300.350.400mm Roughing-in

虹吸式电动脉冲坐便器
尺寸:620*400*330mm
地排,排污口离墙300.350.400mm



七色可选

HS-M037
Siphonic electric pulse toilet
Size:670*520*420mm
S-trap,300.400mm Roughing-in

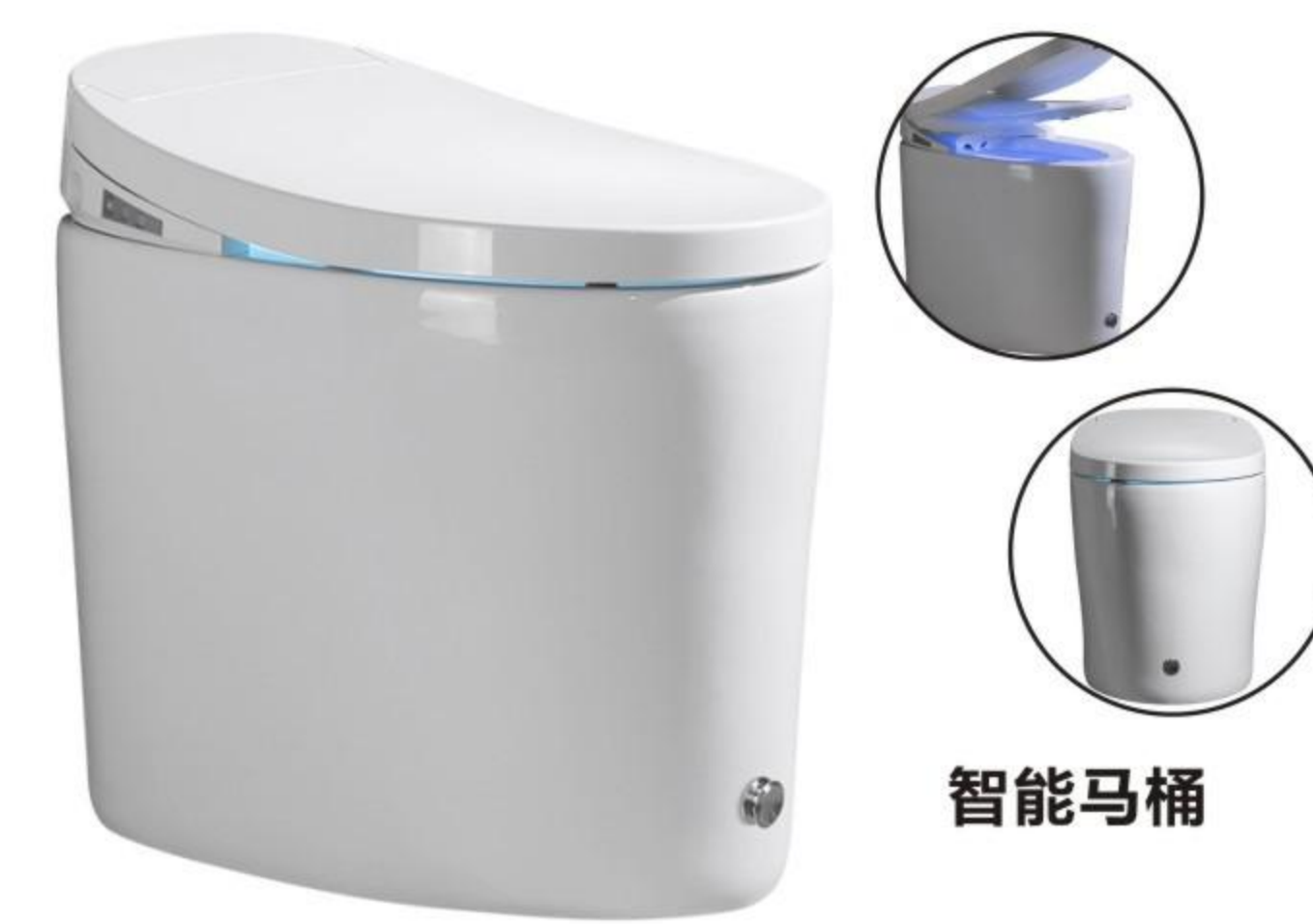
虹吸式电动脉冲坐便器
尺寸:670*520*420mm
地排,排污口离墙300.400mm



横排/地排

HS-M052
Siphonic electric pulse toilet
Size:620*400*330mm
S-trap,200.300.350.400mm Roughing-in
P-trap,180mm Roughing-in

虹吸式电动脉冲坐便器
尺寸:620*400*330mm
地排,排污口离墙200.300.350.400mm
墙排,排污口离地180mm



智能马桶

HS-M055
Automated siphonic toilet
Size:495*370*490mm
S-trap,300.350.400mm Roughing-in

虹吸式智能坐便器
尺寸:495*370*490mm
地排,排污口离墙300.350.400mm



横排/地排

HS-M060
Siphonic electric pulse toilet
Size:565*350*405mm
S-trap,300.400mm Roughing-in
P-trap,180mm Roughing-in

虹吸式电动脉冲坐便器
尺寸:565*350*405mm
地排,排污口离墙300.400mm
墙排,排污口离地180mm



横排/地排

HS-M059
Siphonic electric pulse toilet
Size:565*365*410mm
S-trap,300.400mm Roughing-in
P-trap,180mm Roughing-in

虹吸式电动脉冲坐便器
尺寸:565*365*410mm
地排,排污口离墙300.400mm
墙排,排污口离地180mm



典雅黑

HS-V6TMS
Siphonic electric pulse toilet
虹吸式电动脉冲坐便器
Size:690*380*410mm
S-trap,300.400mm Roughing-in
地排,排污口离墙300.400mm



时尚绿



高级灰



月光白

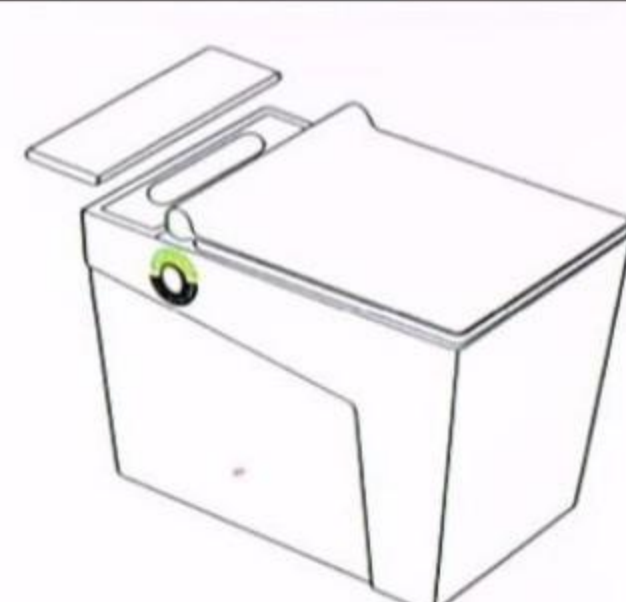


HS-V4TMS
Siphonic electric pulse toilet
Size:580*360*400mm
S-trap,300.400mm Roughing-in

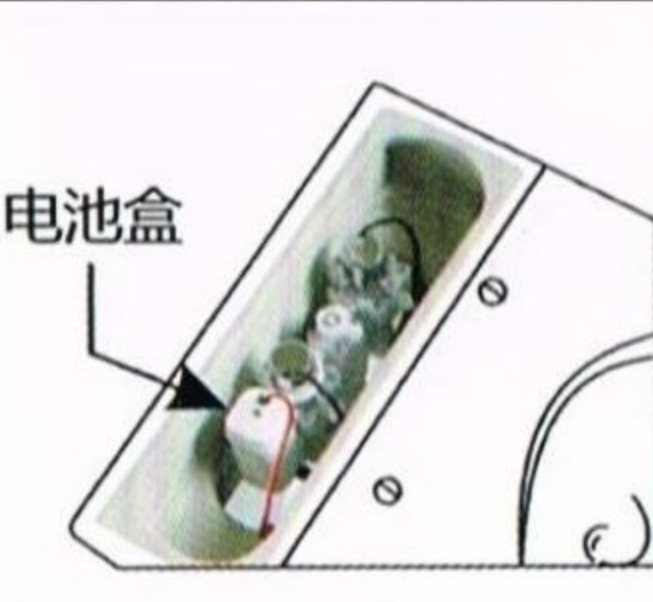
虹吸式电动脉冲坐便器
尺寸:580*360*400mm
地排,排污口离墙300.400mm

- 空间小
- 脚踏冲水
- 一级节水
- 内置电池
- 自洁釉面
- 强力冲洗

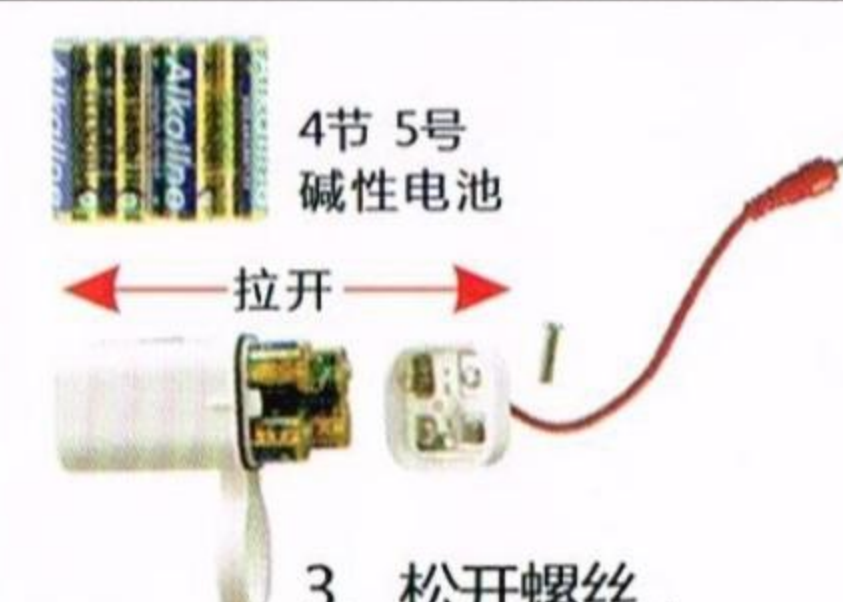
直流电
池更
换演
示



1、把后盖拆出来



2、拿出电池盒



3、松开螺丝, 拉开电池盒, 更换电池

HS-V8TMS
Siphonic electric pulse toilet
虹吸式电动脉冲坐便器
Size:615*375*458mm
S-trap,300.400mm R
地排,排污口离墙300.



警告: 切勿使用酸性电池 装箱清单:坐便器*1,专用角阀*1,密封圈*1,使用说明书*1



HS-95511
Siphonic one-piece toilet
Size:660*500*670mm
S-trap,300.400mm Roughing-in

虹吸式连体坐便器
尺寸:660*500*670mm
地排,排污口离墙300.400mm



HS-95599
Siphonic one-piece toilet
Size:720*390*600mm
S-trap,300.400mm Roughing-in

虹吸式连体坐便器
尺寸:720*390*600mm
地排,排污口离墙300.400mm



HS-95518
Siphonic one-piece toilet
Size:660*480*670mm
S-trap,300.400mm Roughing-in

虹吸式连体坐便器
尺寸:660*480*670mm
地排,排污口离墙300.400mm



HS-2012
Siphonic one-piece toilet
Size:630*400*690mm
S-trap,300.400mm Roughing-in

虹吸式连体坐便器
尺寸:630*400*690mm
地排,排污口离墙300.400mm



HS-2005
Siphonic one-piece toilet
Size:740*420*580mm
S-trap,300.400mm Roughing-in

虹吸式连体坐便器
尺寸:740*420*580mm
地排,排污口离墙300.400mm



▲哑黑 ▼墨绿 ▲深灰 ▼粉红



HS-2011
Siphonic one-piece toilet
Size:630*400*650mm
S-trap,300.400mm Roughing-in

虹吸式连体坐便器
尺寸:630*400*650mm
地排,排污口离墙300.400mm



HS-K2009
Siphonic one-piece toilet
Size:770*470*680mm
S-trap,300.400mm Roughing-in

虹吸式连体坐便器
尺寸:770*470*680mm
地排,排污口离墙300.400mm



▲土豪金 ▲樱桃红

颜色可选

- -
 -
 -
 -
 -
 -
- 丁香紫 柠檬黄 水晶蓝 苹果绿 樱桃红 土豪金 哑黑



HS-806T
Washdown wall-hung toilet
Size:505*365*360mm
P-trap,180mm Roughing-in

直冲式挂墙坐便器
尺寸:505*365*360mm
墙排,排污口离地180mm



HS-803T
Washdown wall-hung toilet
Size:520*360*370mm
P-trap,180mm Roughing-in

直冲式挂墙坐便器
尺寸:520*360*370mm
墙排,排污口离地180mm



HS-8207
Washdown wall-hung toilet
Size:510*360*375mm
P-trap,180mm Roughing-in

直冲式挂墙坐便器
尺寸:510*360*375mm
墙排,排污口离地180mm



HS-8004D
Washdown wall-hung toilet
Size:525*360*325mm
P-trap,180mm Roughing-in

直冲式挂墙坐便器
尺寸:525*360*325mm
墙排,排污口离地180mm



HS-802T
Washdown wall-hung toilet
Size:545*385*340mm
P-trap,180mm Roughing-in

直冲式挂墙坐便器
尺寸:545*385*340mm
墙排,排污口离地180mm



HS-8013D
Washdown wall-hung toilet
Size:530*365*320mm
P-trap,180mm Roughing-in

直冲式挂墙坐便器
尺寸:530*365*320mm
墙排,排污口离地180mm



HS-804T
Washdown wall-hung toilet
Size:520*360*350mm
P-trap,180mm Roughing-in

直冲式挂墙坐便器
尺寸:520*360*350mm
墙排,排污口离地180mm



HS-801T
Washdown wall-hung toilet
Size:530*360*330mm
P-trap,180mm Roughing-in

直冲式挂墙坐便器
尺寸:530*360*330mm
墙排,排污口离地180mm



HS-F113
Washdown wall-hung toilet
Size:595*380*330mm
P-trap,180mm Roughing-in

直冲式挂墙坐便器
尺寸:595*380*330mm
墙排,排污口离地180mm

Wall-hung Toilet Series



对冲

HS-F125
Collision type wall-hung toilet
Size:565*355*410mm
P-trap,180mm Roughing-in

对冲式挂墙坐便器
尺寸:565*355*410mm
墙排,排污口离地180mm



对冲

HS-F195
Collision type wall-hung toilet
Size:505*360*305mm
P-trap

对冲式挂墙坐便器
尺寸:505*360*305mm
墙排



超漩

HS-F177
Eddy double hole wall-hung toilet
Size:530*360*310mm
P-trap,180mm Roughing-in

超漩式挂墙坐便器
尺寸:530*360*310mm
墙排,排污口离地180mm



HS-F116
Washdown wall-hung toilet
Size:560*350*340mm
P-trap,180mm Roughing-in

直冲式挂墙坐便器
尺寸:560*350*340mm
墙排,排污口离地180mm



HS-F148
Washdown wall-hung toilet
Size:510*350*300mm
P-trap,180mm Roughing-in

直冲式挂墙坐便器
尺寸:510*350*300mm
墙排,排污口离地180mm



对冲

HS-F192
Collision type wall-hung toilet
Size:495*365*300mm
P-trap

对冲式挂墙坐便器
尺寸:495*365*300mm
墙排



对冲

HS-F190
Collision type wall-hung toilet
Size:490*350*365mm
P-trap

对冲式挂墙坐便器
尺寸:490*350*365mm
墙排



HS-4088
Washdown wall-hung toilet
Size:560*390*350mm
P-trap,180mm Roughing-in

直冲式挂墙坐便器
尺寸:560*390*350mm
墙排,排污口离地180mm

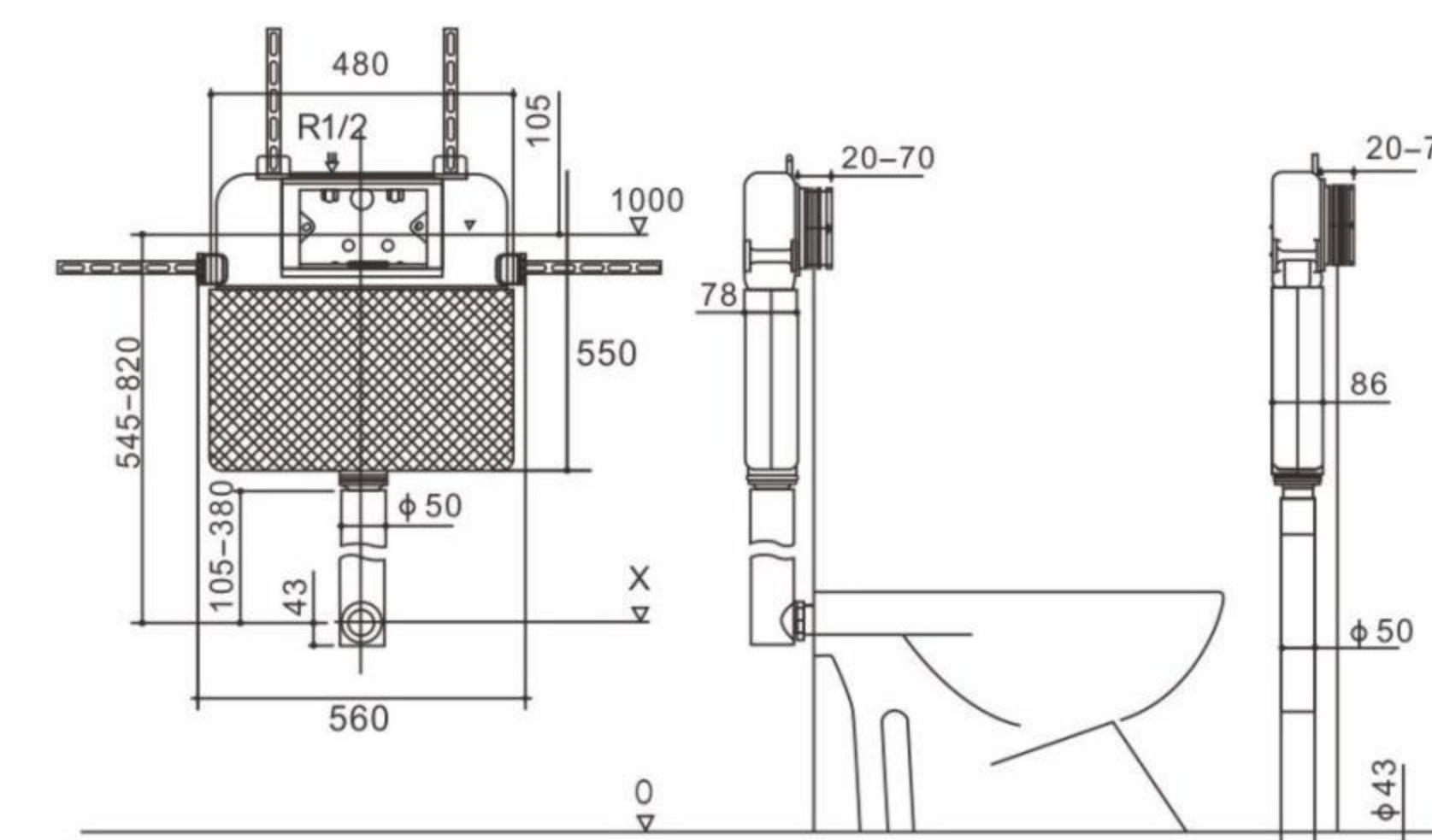


HS-806TH
Washdown wall-hung toilet
Size:505*365*360mm
P-trap,180mm Roughing-in

直冲式挂墙坐便器
尺寸:505*365*360mm
墙排,排污口离地180mm



产品线图
Product line diagram



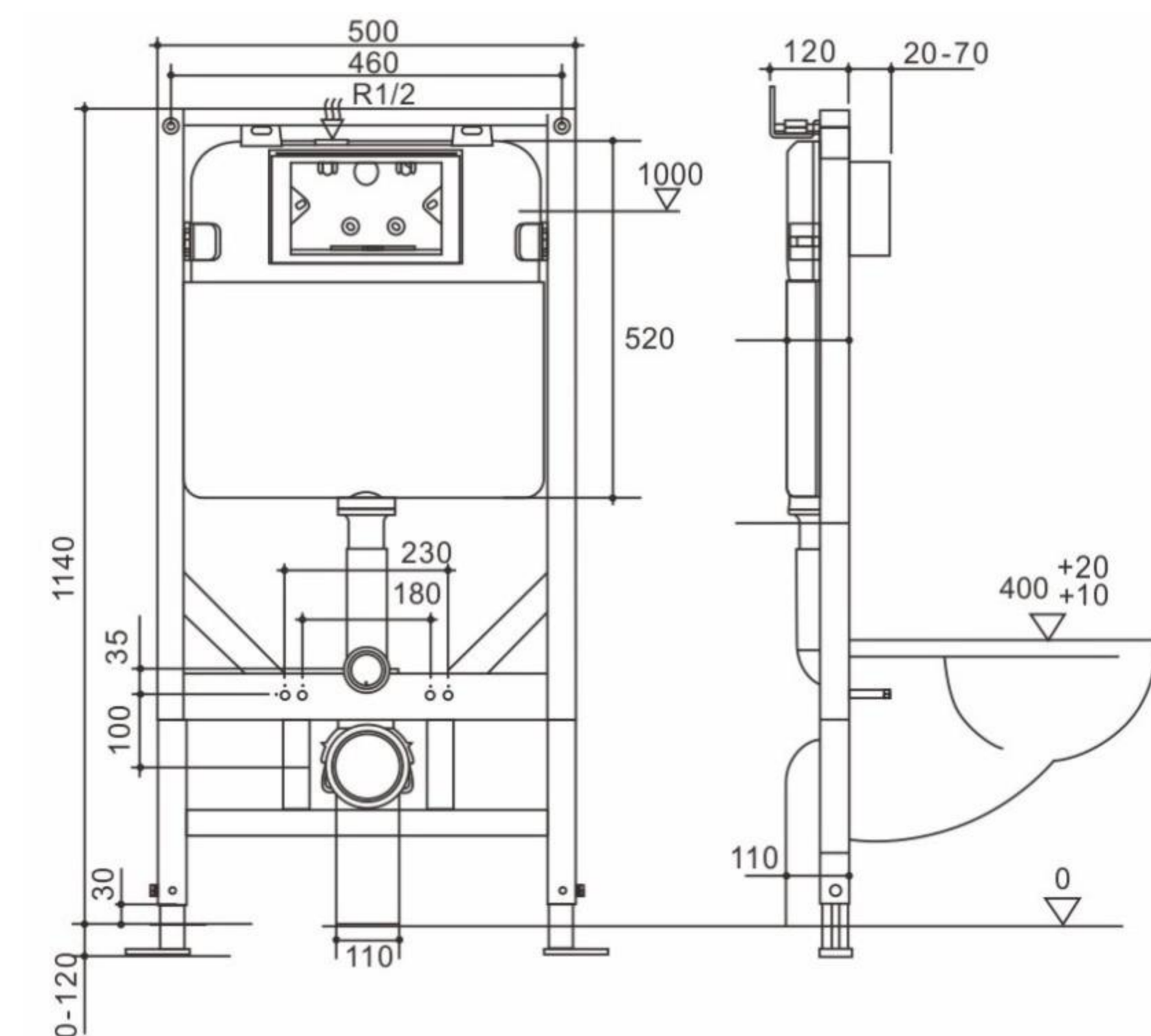
HS-R079-011S

产品详细信息
Detailed introduction

- 安装尺寸: 560x(80-110)x(715-990) mm
- 材料: HDPE
- 实际排量: 全排:4.5L-8L, 半排:3L-4.5L
- 适用于落地坐便器专用规格
- 操作方式: 按压按钮控制
- 操作面板尺寸: 236*152mm
- 操作面板表面处理: 304不锈钢(拉丝/亮光/花纹)
- 适用范围: 90mm厚度以上的实心墙或假墙安装
- Install size: 560x(80-110)x(715-990)mm
- Material: HDPE (high-density polyethylene).
- Actual Displacement: Whole volume 4.5L-8L. Half volume 3L-4.5L.
- Seat toilet application specific.
- Operation mode: Push button control.
- Operation panel size: 236*152mm.
- Operation panel finish: 304 stainless steel. (brushed/shinning/decorative design).
- Suit for: 90mm dry wall or pre-cast wall.



产品线图
Product line diagram



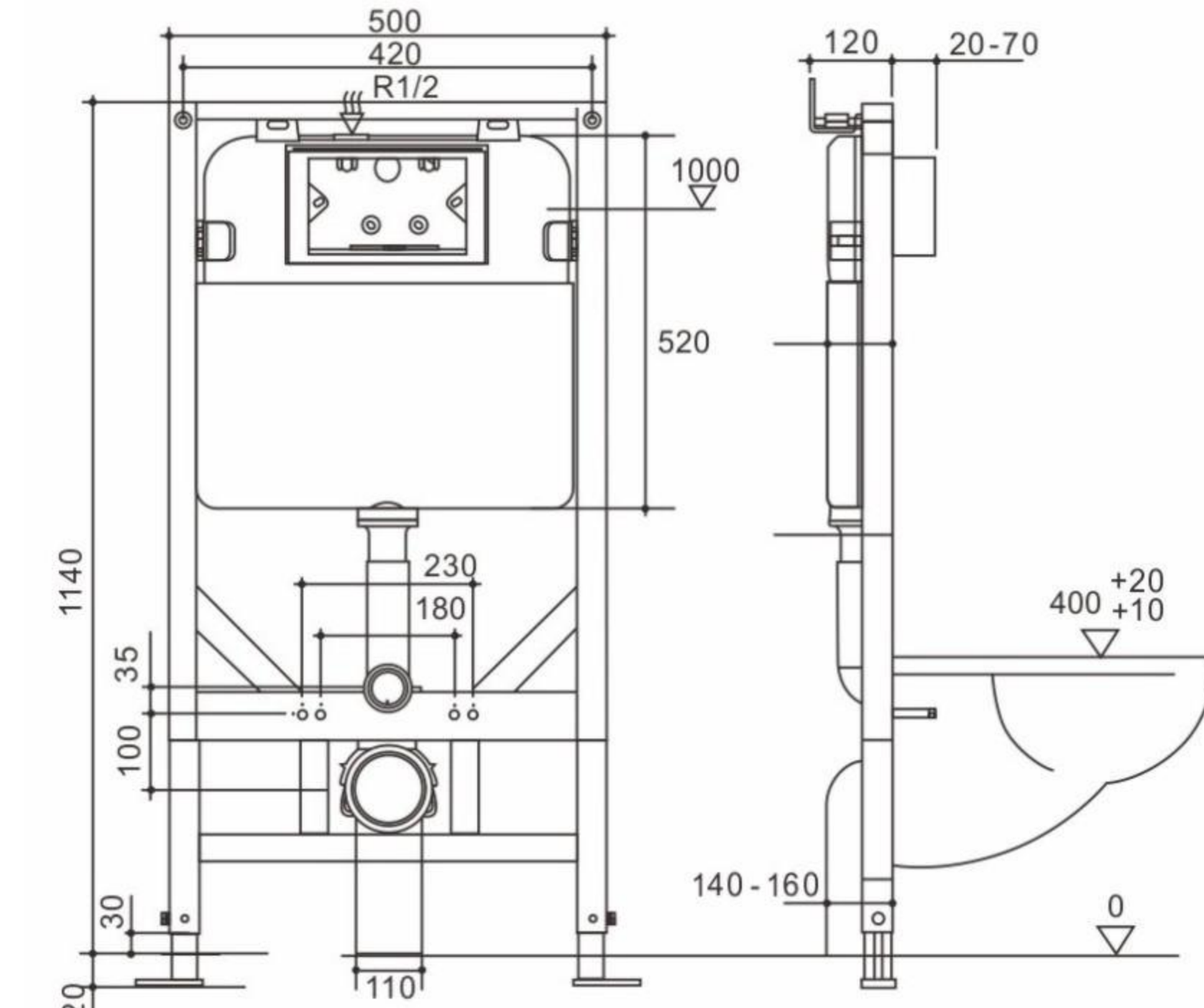
HS-J032A-021

产品详细信息
Detailed introduction

- 安装尺寸: 500x 125x1400 mm
- 材料: HDPE
- 实际排量: 全排:4.5L-7.5L, 半排:3L-4.5L
- 框架承重: 500kgs.适用于挂便器专用规格
- 操作方式: 按压按钮控制
- 操作面板尺寸: 340*185mm
- 操作面板表面处理: ABS(白色/镀铬/镀金)
- 适用范围: 140mm厚度以上的实心墙或假墙安装
- Install size: 500x 125x1400mm
- Material: HDPE (high-density polyethylene).
- Actual Displacement: Whole volume 4.5L-7.5L. Half volume 3L-4.5L.
- Frame bearing strength: 500kgs
- Seat toilet application specific.
- Operation mode: Push button control.
- Operation panel size: 340*185mm.
- Operation panel finish: ABS (White/Chrome/Gold plating).
- Suit for: 140mm dry wall or pre-cast wall.



产品线图
Product line diagram



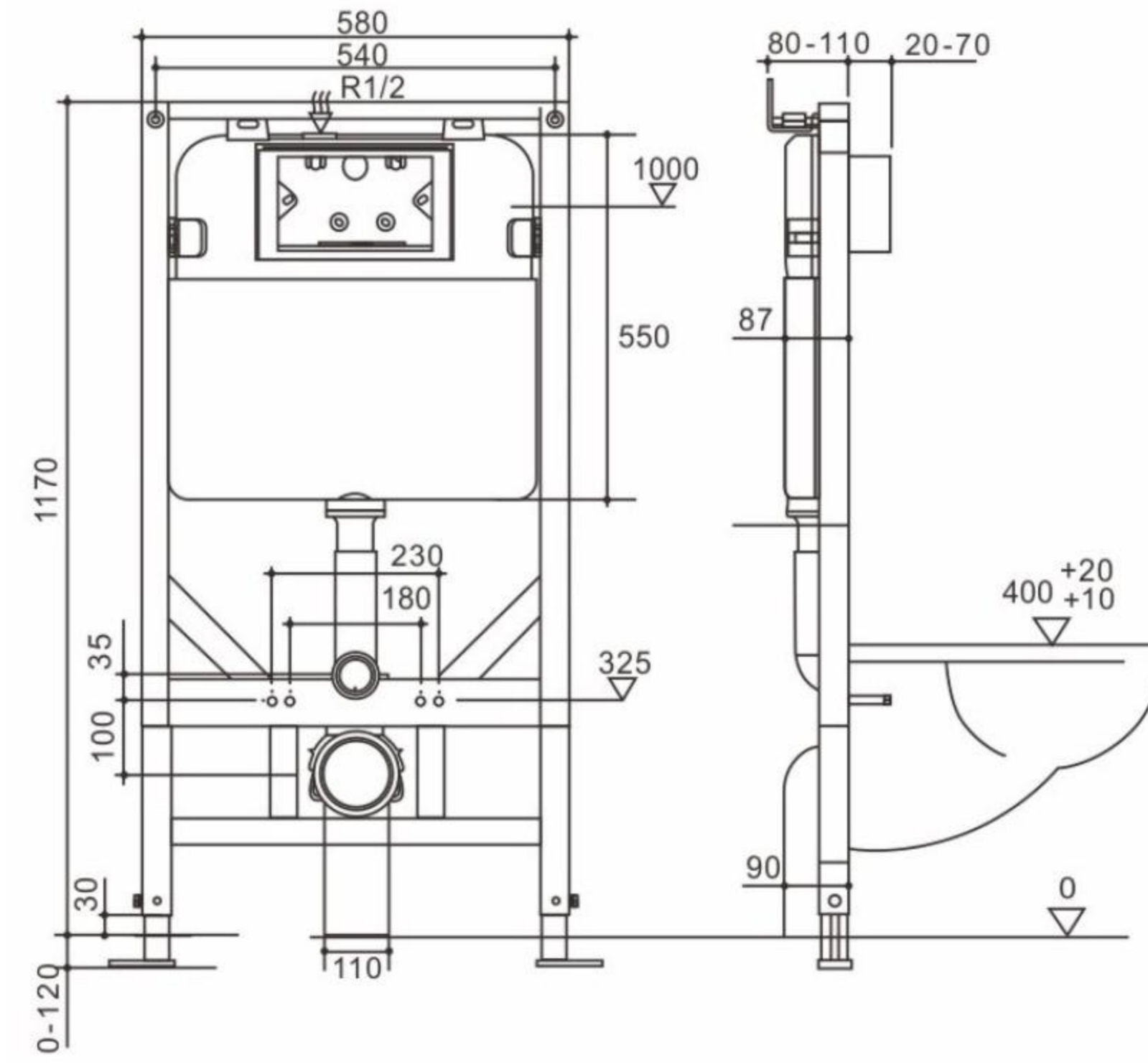
HS-J033A-010

感应数据/产品详细信息
Introduction data/Detailed introduction

- 供电方式: 交流/直流电源
- 额定电压: 输入:交流110V~240V 50Hz/60Hz 输出: DC6V
- 电池盒: 4x5号电池, 输出: DC6V
- 消耗电力: 静态1.5W, 动态2.5W
- 适用水压: 0.05Mpa~0.6Mpa
- 感应距离: 30~80cm可调节
- 冲水时间: 4档可选择 冲水量: 6/3L
- 手自一体: 手动排水功能, 满足更多需要
- Hand in one: manual drainage function, to meet more needs.
- 大小冲智能判定: 感应器感应人体时间不超过45秒, LED灯显示绿色, 人离开后感应器智能判定为小冲, 半箱冲水(约3L);感应器感应人体时间超过45秒, LED灯显示蓝色, 人离开后感应器智能判定为大冲, 满箱冲水(约6L);
- Intelligent judgment of large and small flushes: the sensor senses the human body for no more than 45 seconds, the LED light displays green, the sensor intelligent judgment is small flushes, half box flushes(about 3L);the sensor senses the human body for more than 45 seconds, the LED light displays blue, the sensor intelligent judgment is big flushes, full box flushes (about 6L);

可选面板
Optional panel





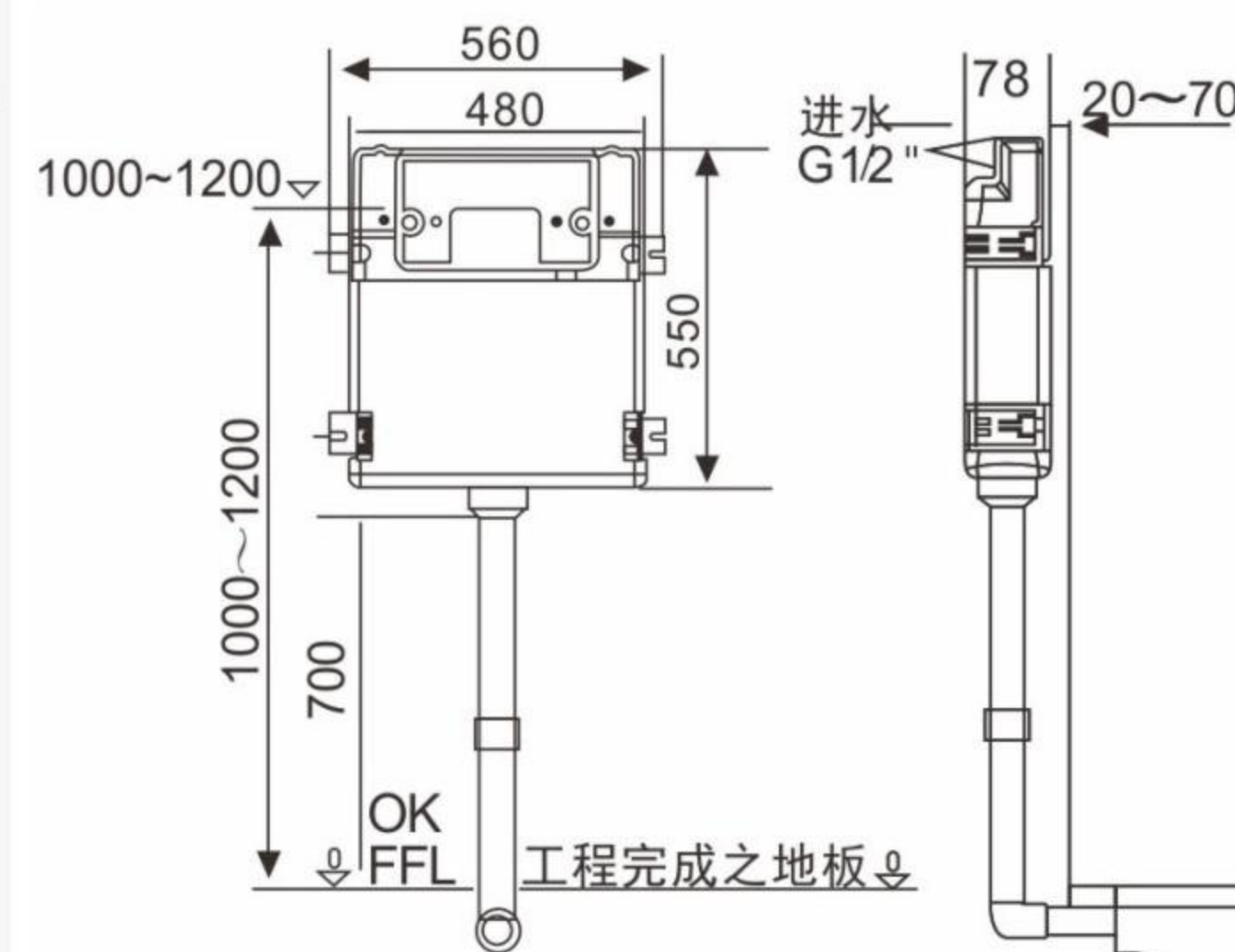
HS-R077-011B

产品详细信息

- Detailed introduction
- 安装尺寸: 560x (80-110) x (1140-1260) mm
 - 材料: HDPE
 - 实际排量: 全排: 4.5L-8L, 半排: 3L-4.5L
 - 框架承重: 500kgs. 适用于挂便器专用规格
 - 操作方式: 按压按钮控制
 - 操作面板尺寸: 236*152mm
 - 操作面板表面处理: 304不锈钢(拉丝/亮光/花纹)
 - 适用范围: 90mm厚度以上的实心墙或假墙安装
- Install size: 560x (80-110) x (1140-1260)mm
- Material: HDPE (high-density polyethylene).
- Actual Displacement: Whole volume 4.5L-8L. Half volume 3L-4.5L.
- Frame bearing strength: 500kgs
- Seat toilet application specific.
- Operation mode: Push button control.
- Operation panel size: 236*152mm.
- Operation panel finish: 304 stainless steel. (brushed/shinning/decorative design).
- Suit for: 90mm dry wall or pre-cast wall.

产品线图

Product line diagram



HS-R078-011S

产品详细信息

- Detailed introduction
- 安装尺寸: 500x 78x1200 mm
 - 材料: HDPE
 - 实际排量: 全排: 4.5L-7.5L, 半排: 3L-4.5L
 - 适用于蹲便器专用规格
 - 操作方式: 按压按钮控制
 - 操作面板尺寸: 340*185mm
 - 操作面板表面处理: 304不锈钢(拉丝/亮光/花纹)
 - 适用范围: 90mm厚度以上的实心墙或假墙安装
- Install size: 500x 78x1200 mm
- Material: HDPE (high-density polyethylene).
- Actual Displacement: Whole volume 4.5L-7.5L. Half volume 3L-4.5L.
- Squat toilet application specific.
- Operation mode: Push button control.
- Operation panel size: 236*152mm.
- Operation panel finish: 304 stainless steel (brushed/shinning/decorative design).
- Suit for: 90mm dry wall or pre-cast wall.



HS-802
Squatting pan W.C
Size: 550*440*190mm
蹲便器(无设地去水S弯管)
尺寸: 550*440*190mm



HS-804
Squatting pan W.C
Size: 590*460*180mm
蹲便器(无设地去水S弯管)
尺寸: 590*460*180mm



HS-807
Squatting pan W.C
Size: 550*430*185mm
蹲便器(无设地去水S弯管)
尺寸: 550*430*185mm



HS-802S
Squatting pan W.C
Size: 550*440*225mm
蹲便器(内设地去水S弯管)
尺寸: 550*440*225mm



HS-804S
Squatting pan W.C
Size: 590*460*225mm
蹲便器(内设地去水S弯管)
尺寸: 590*460*225mm



HS-807S
Squatting pan W.C
Size: 550*430*230mm
蹲便器(内设地去水S弯管)
尺寸: 550*430*230mm



HS-809
Squatting pan W.C
Size: 550*430*185mm
蹲便器(无设地去水S弯管)
尺寸: 550*430*185mm



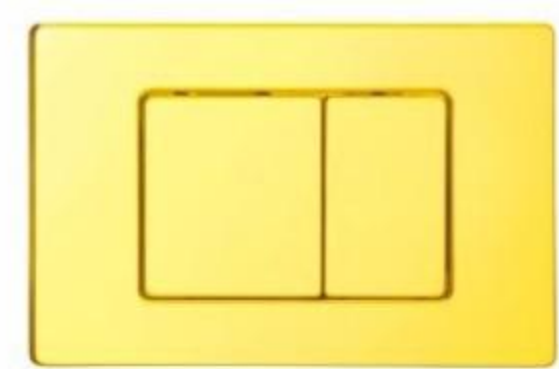
HS-814S
Squatting pan W.C
Size: 615*475*245mm
蹲便器(内设地去水S弯管)
尺寸: 615*475*245mm



HS-815S
Squatting pan W.C
Size: 595*420*320mm
蹲便器(内设地去水S弯管)
尺寸: 595*420*320mm

可选面板

Optional panel



011(钛金)
材质: 304钛金



021(镀铬)
材质: ABS



021(白色)
材质: ABS



021(哑黑)
材质: ABS



021(香槟金)
材质: ABS



011S(亮光)
材质: 304亮光



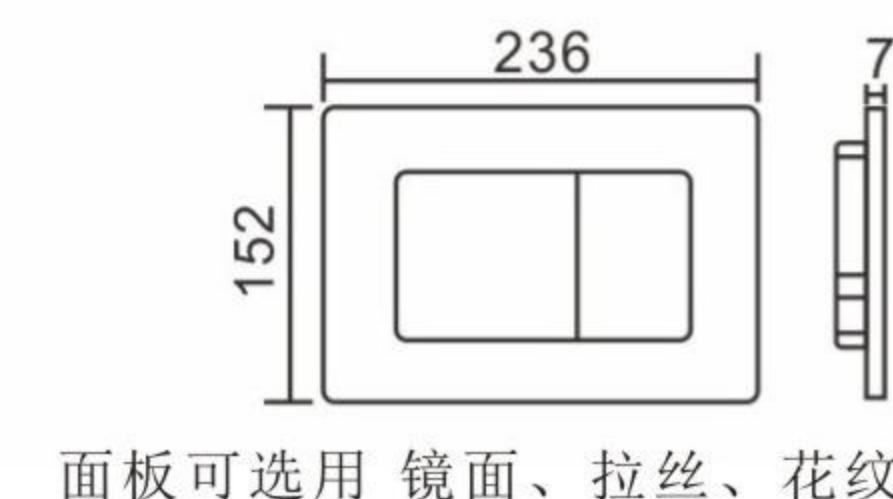
011B(拉丝)
材质: 304拉丝



081S(亮光)
材质: 304亮光



081B(拉丝)
材质: 304拉丝



HS-809S
Squatting pan W.C
Size: 550*430*230mm
蹲便器(内设地去水S弯管)
尺寸: 550*430*230mm



HS-820
Squatting pan W.C
Size: 565*435*180mm
双进水蹲便器(无设地去水S弯管)
尺寸: 565*435*180mm



蹲厕弯头



HS-813B-QDF
Water tank水箱(银、白色)
Size:410*380*122mm



HS-R809-QDF
Water tank水箱(白色)
Size:370*370*120mm

水箱配件
Water tank fittings



- ①可按式双档可调/节能水箱
- ②排水量: 3L/8L;
- ③材质: PP 材质



HS-J-801
Water tank水箱(感应+手动)
Size:400*380*120mm



HS-810-QDF
Water tank水箱(白色)
Size:410*380*122mm

水箱配件
Water tank fittings



- ①可按式双档可调/节能水箱
- ②排水量: 3L/8L;
- ③材质: PP 材质



HS-002D
Water tank水箱(白色)
Size:380*120*400mm



HS-006B
Water tank水箱(白色)
Size:350*113*375mm



HS-R831
Water tank水箱
Size:410*375*133mm



HS-MH004
Wall-hung basin
Size:670*500*595mm
Fixing to wall with back
挂盆
尺寸:670*500*595mm
背靠墙式安装



HS-MH005
Wall-hung basin
Size:610*460*490mm
Fixing to wall with back
挂盆
尺寸:610*460*490mm
背靠墙式安装



HS-MH006
Wall-hung basin
Size:610*465*435mm
Fixing to wall with back
挂盆
尺寸:610*465*435mm
背靠墙式安装



HS-MH002
Wall-hung basin
Size:605*420*500mm
Fixing to wall with back
挂盆
尺寸:605*420*500mm
背靠墙式安装



HS-MH007
Wall-hung basin
Size:610*465*510mm
Fixing to wall with back
挂盆
尺寸:610*465*510mm
背靠墙式安装



HS-MH008
Wall-hung basin
Size:640*470*490mm
Fixing to wall with back
挂盆
尺寸:640*470*490mm
背靠墙式安装



HS-MH003
Wall-hung basin
Size:690*505*580mm
Fixing to wall with back
挂盆
尺寸:690*505*580mm
背靠墙式安装



HS-504
Wall-hung basin
Size:510*630*400mm
Fixing to wall with back
挂盆
尺寸:510*630*400mm
背靠墙式安装



HS-228
Wall-hung basin
Size:565*445*480mmmm
Fixing to wall with back
挂盆
尺寸:565*445*480mmmm
背靠墙式安装



HS-7011
Wall-hung basin
Size:525*420*475mm
Fixing to wall with back
挂盆
尺寸:525*420*475mm
背靠墙式安装



HS-7007W
Wall-hung basin
Size:480*580*380mm
Fixing to wall with back
挂盆
尺寸:480*580*380mm
背靠墙式安装

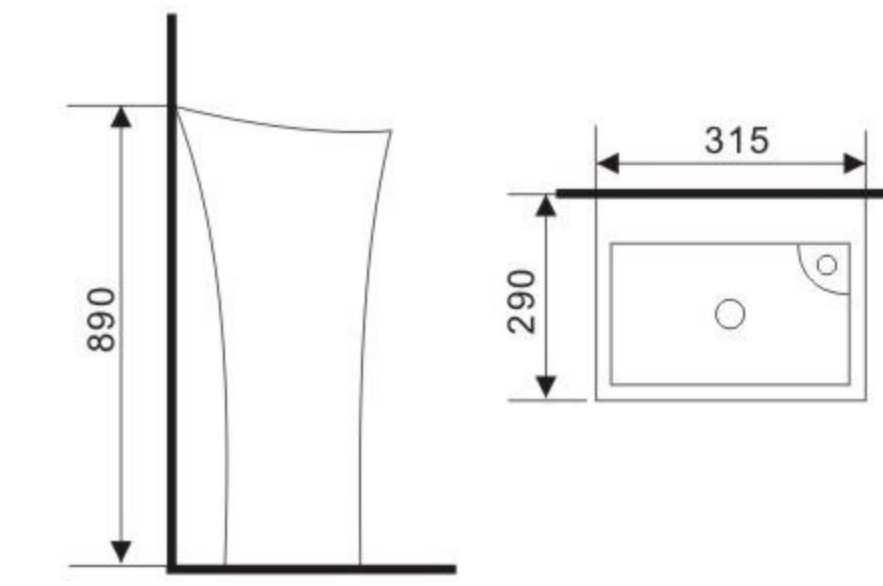


HS-7088W
Wall-hung basin
Size:475*545*395mm
Fixing to wall with back
挂盆
尺寸:475*545*395mm
背靠墙式安装



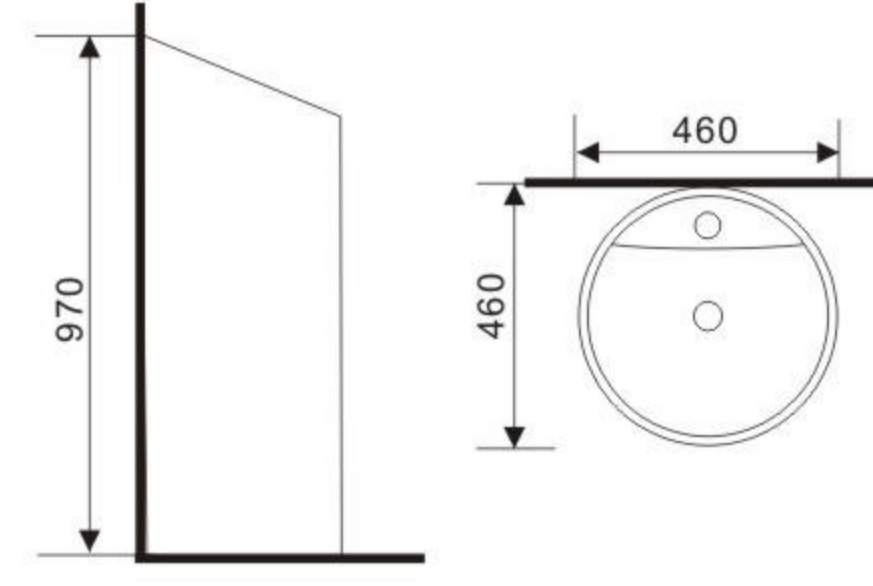
HS-8052B
Pedestal basin
Size:315*290*890mm
Fixing to wall with back

立柱盆
尺寸:315*290*890mm
背靠墙式安装



HS-K136D
Pedestal basin
Size:460*460*970mm
Fixing to wall with back

立柱盆
尺寸:460*460*970mm
背靠墙式安装



HS-5300C
Wall-hung basin
Size:480*425*335mm
Fixing to wall with back
挂盆
尺寸:480*425*335mm
背靠墙式安装



HS-7200
Wall-hung basin
Size:480*420*390mm
Fixing to wall with back
挂盆
尺寸:480*420*390mm
背靠墙式安装

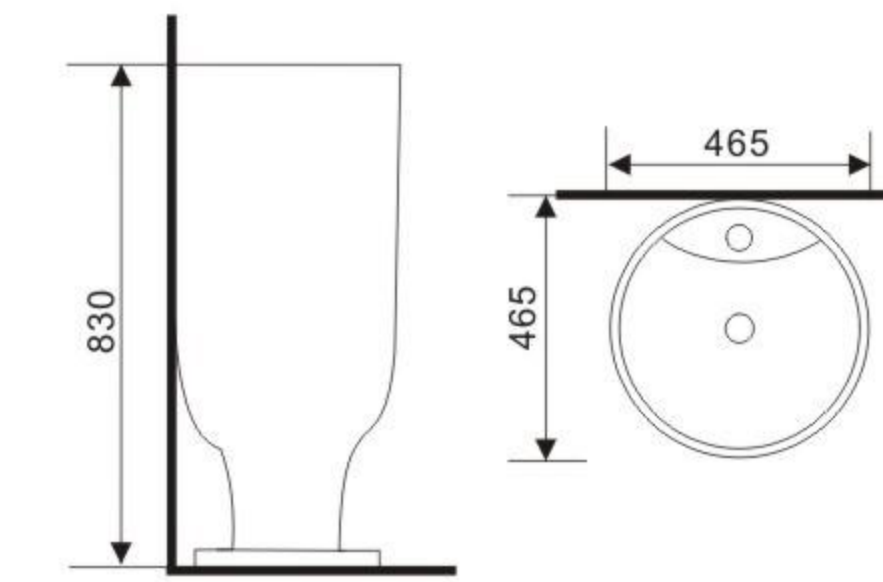


HS-6300
Wall-hung basin
Size:600*460*405mm
Fixing to wall with back
挂盆
尺寸:600*460*405mm
背靠墙式安装



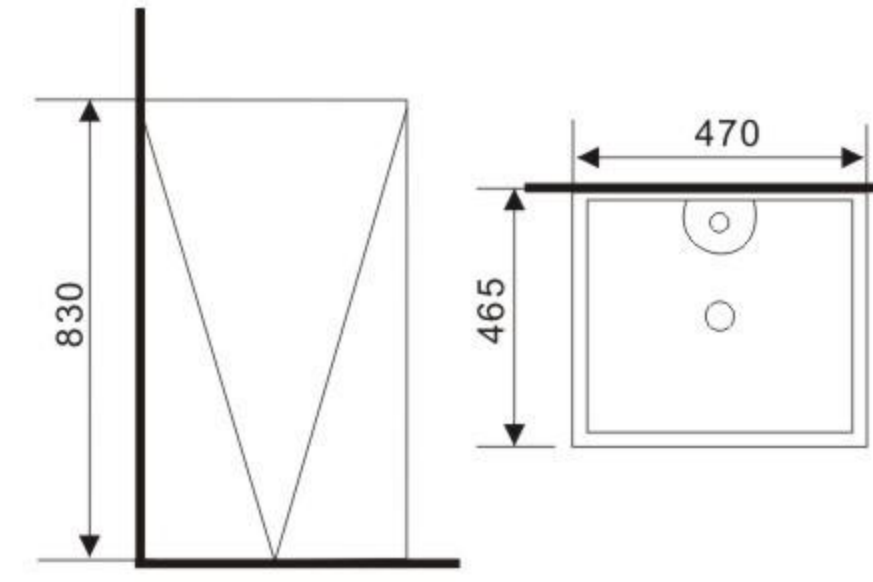
HS-K1007D
Pedestal basin
Size:465*465*830mm
Fixing to wall with back

立柱盆
尺寸:465*465*830mm
背靠墙式安装



HS-8026B
Pedestal basin
Size:465*470*830mm
Fixing to wall with back

立柱盆
尺寸:465*470*830mm
背靠墙式安装



HS-5100D
Wall-hung basin
Size:350*350*275mm
Fixing to wall with back
挂盆
尺寸:350*350*275mm
背靠墙式安装



HS-5800D
Wall-hung basin
Size:385*340*420mm
Fixing to wall with back
挂盆
尺寸:385*340*420mm
背靠墙式安装

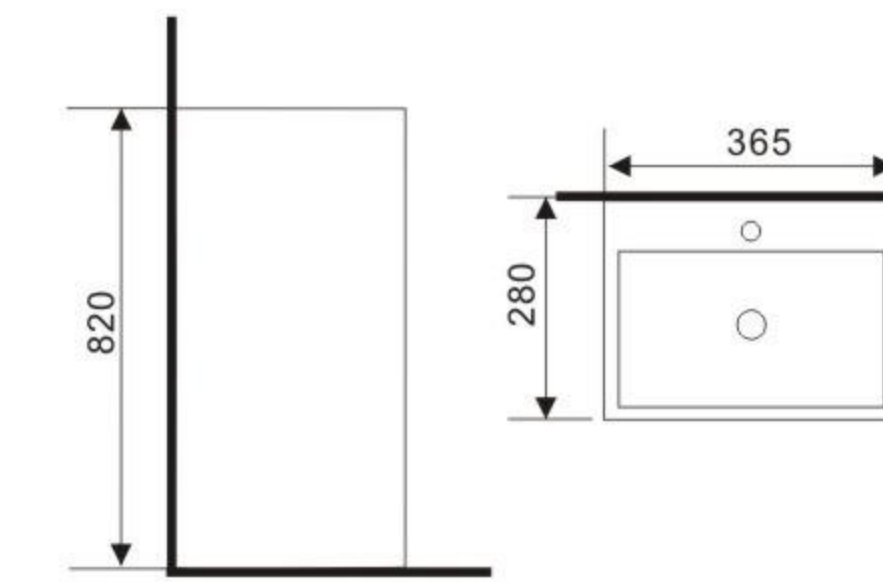


HS-6800
Wall-hung basin
Size:370*380*410mm
Fixing to wall with back
挂盆
尺寸:370*380*410mm
背靠墙式安装



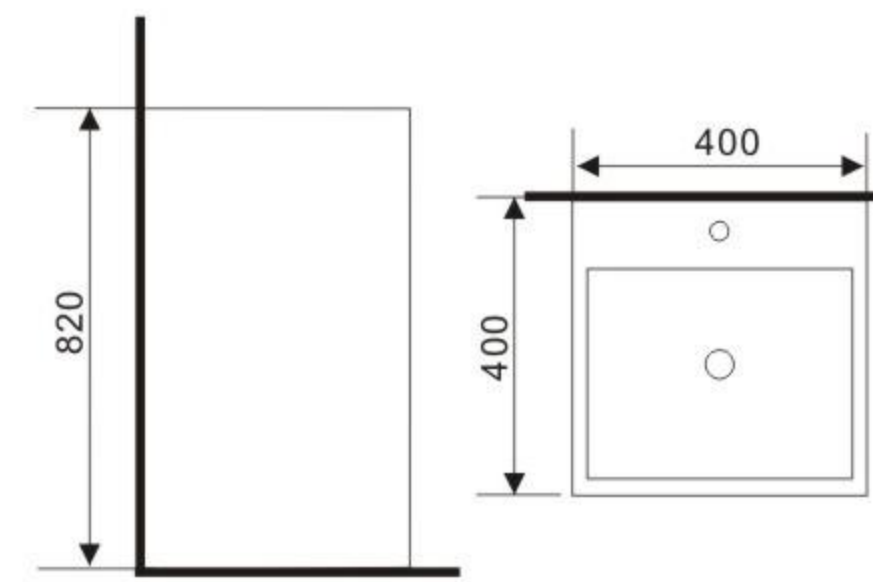
HS-7165L
Pedestal basin
Size:365*280*820mm
Fixing to wall with back

立柱盆
尺寸:365*280*820mm
背靠墙式安装



HS-400
Pedestal basin
Size:400*400*820mm
Fixing to wall with back

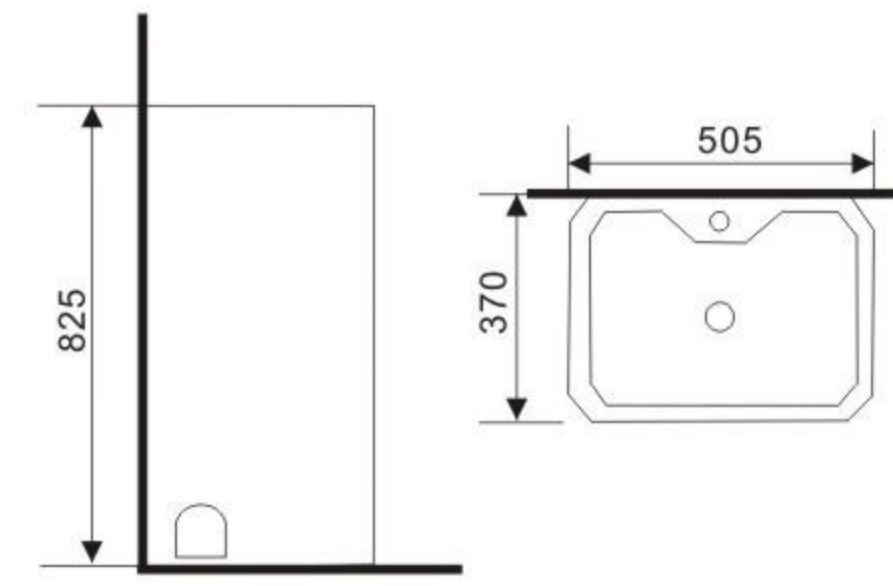
立柱盆
尺寸:400*400*820mm
背靠墙式安装





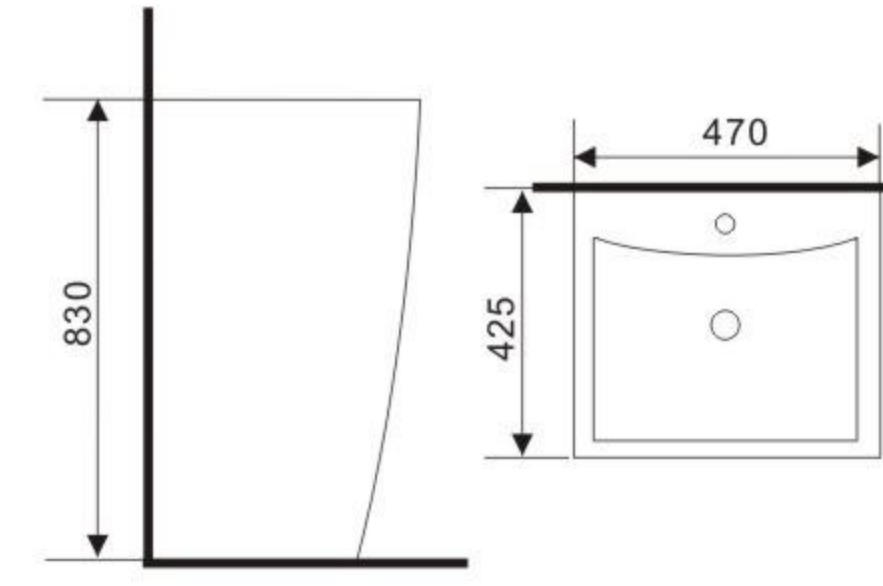
HS-7162L
Pedestal basin
Size:505*370*825mm
Fixing to wall with back

立柱盆
尺寸:505*370*825mm
背靠墙式安装



HS-3007T
Pedestal basin
Size:470*425*830mm
Fixing to wall with back

立柱盆
尺寸:470*425*830mm
背靠墙式安装



HS-Q340
Wall-hung urinal
Size:330*360*605mm
排水方式:横排
顶进水到墙排中心距离480mm
背进水到墙排中心距离370mm



HS-Q360
Wall-hung urinal
Size:320*350*700mm
排水方式:横排
背进水到墙排中心距离440mm



HS-Q715
Wall-hung urinal
Size:500*330*790mm
排水方式:横排、直排
进水到墙排中心距离570mm



HS-Q719
Wall-hung urinal
Size:370*330*650mm
排水方式:横排、直排
顶进水到墙排中心距离430mm

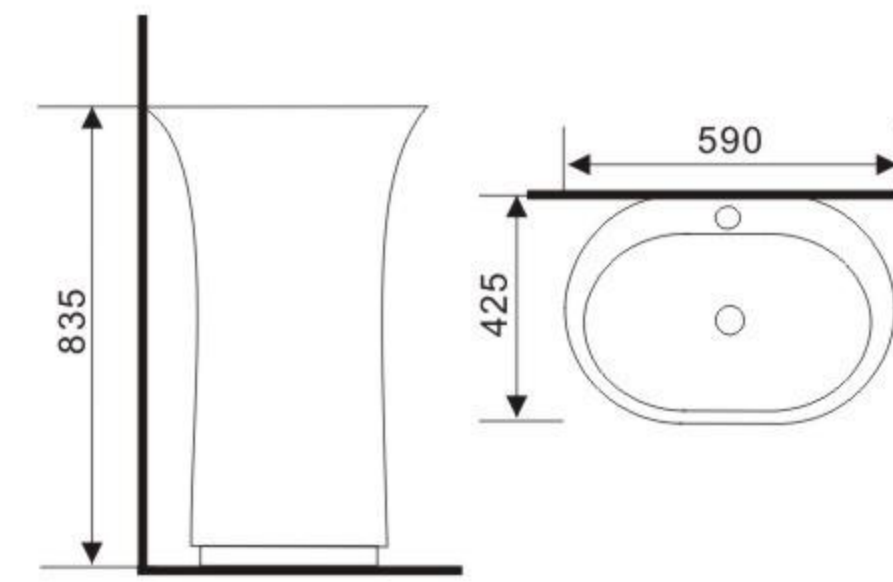


HS-Q725
Wall-hung urinal
Size:330*350*690mm
排水方式:横排、直排
进水到墙排中心距离490mm



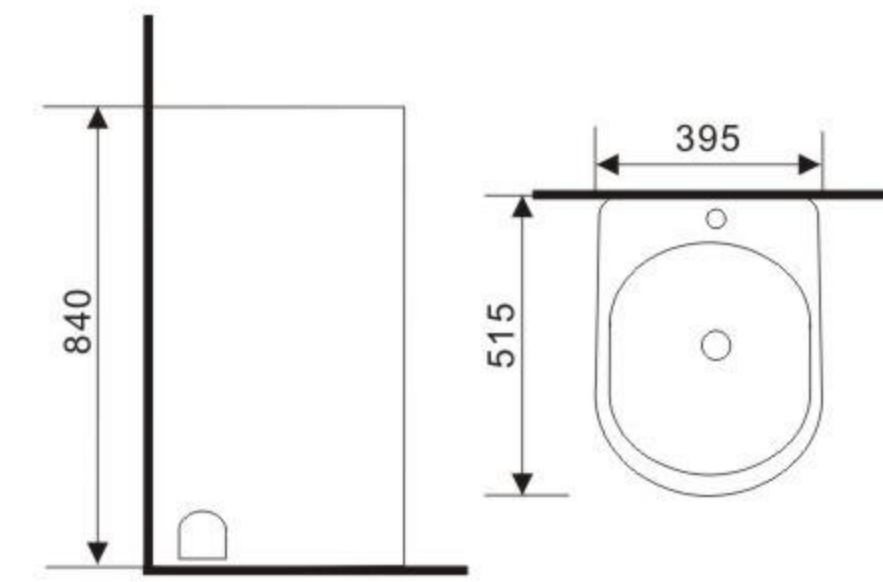
HS-7164L
Pedestal basin
Size:590*425*835mm
Fixing to wall with back

立柱盆
尺寸:590*425*835mm
背靠墙式安装



HS-7163L
Pedestal basin
Size:395*515*840mm
Fixing to wall with back

立柱盆
尺寸:395*515*840mm
背靠墙式安装



HS-Q726
Wall-hung urinal
Size:400*340*800mm
排水方式:横排、直排
进水到墙排中心距离600mm



HS-Q727
Wall-hung urinal
Size:320*380*690mm
排水方式:横排、直排
进水到墙排中心距离590mm



HS-Q728
Wall-hung urinal
Size:330*310*700mm
排水方式:横排、直排
进水到墙排中心距离530mm



HS-Q729
Wall-hung urinal
Size:355*303*685mm
排水方式:横排、直排
进水到墙排中心距离590mm

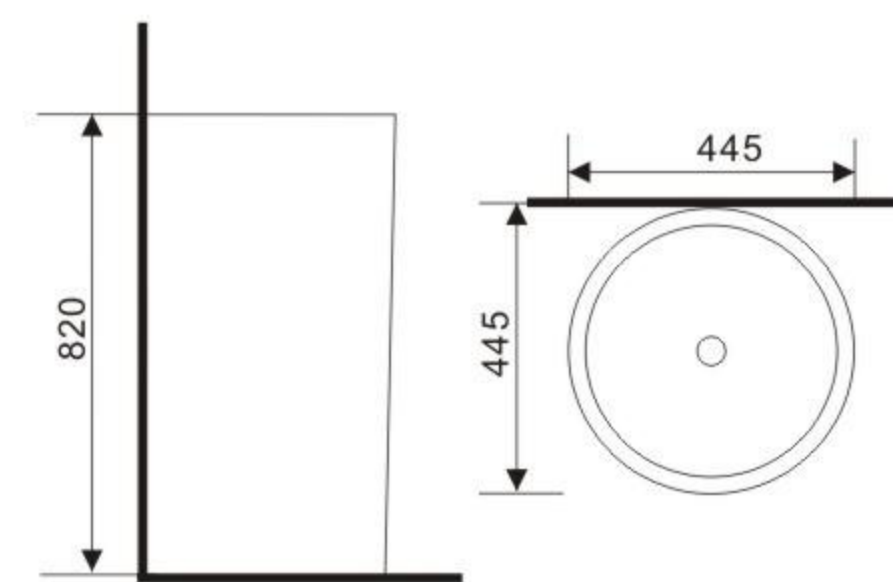


HS-Q730
Wall-hung urinal
Size:340*320*630mm
排水方式:横排、直排
进水到墙排中心距离310mm



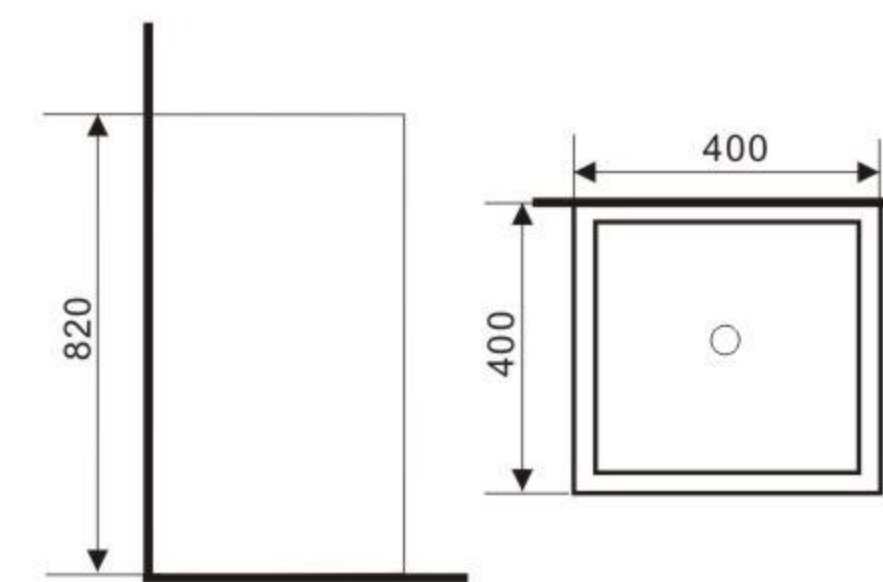
HS-7026B
Pedestal basin
Size:445*445*820mm
Fixing to wall with back

立柱盆
尺寸:445*445*820mm
背靠墙式安装



HS-400A
Pedestal basin
Size:400*400*820mm
Fixing to wall with back

立柱盆
尺寸:400*400*820mm
背靠墙式安装



HS-Q731
Wall-hung urinal
Size:340*320*630mm
排水方式:横排
背进水到墙排中心距离310mm



HS-Q733
Wall-hung urinal
Size:250*300*500mm
排水方式:横排、直排
进水到墙排中心距离420mm



HS-Q734
Wall-hung urinal
Size:250*300*500mm
排水方式:横排、直排
进水到墙排中心距离420mm



HS-Q735
Wall-hung urinal
Size:270*360*680mm
排水方式:横排
进水到墙排中心距离490mm



HS-Q736
Wall-hung urinal
Size:380*410*840mm
排水方式:横排、直排
进水到墙排中心距离680mm



HS-Q737
Wall-hung urinal
Size:340*400*760mm
排水方式:横排、直排
进水到墙排中心距离660mm



HS-Q738
Wall-hung urinal
Size:330*320*600mm
排水方式:横排、直排
顶进水到墙排中心距离540mm
背进水到墙排中心距离440mm



HS-Q741
Wall-hung urinal
Size:320*370*760mm
排水方式:横排、直排



HS-Q752
Wall-hung urinal
Size:350*380*750mm
排水方式:横排、直排



HS-Q754
Urinal baffle
Size:430*80*800mm



HS-Q701
Standing urinal
Size:380*410*1050mm
排水方式:直排
进水到墙排中心距离210mm

HS-Q702
Standing urinal
Size:395*390*1020mm
排水方式:直排
排污口中心距离220mm

HS-Q706
Standing urinal
Size:380*405*1000mm
排水方式:直排
排污口中心距离190mm

HS-Q707
Standing urinal
Size:380*450*980mm
排水方式:直排
排污口中心距离165mm

HS-Q708
Standing urinal
Size:360*470*1000mm
排水方式:直排
排污口中心距离150mm



HS-O394
艺术台上盆
Art basin
Size:550*400*115mm

HS-O482
艺术台上盆
Art basin
Size:400*400*140mm

HS-O437
艺术台上盆
Art basin
Size:410*410*130mm

HS-O16A
艺术台上盆
Art basin
Size:425*425*150mm

HS-O463
艺术台上盆
Art basin
Size:420*240*100mm



HS-Q709
Standing urinal
Size:360*430*980mm
排水方式:直排
排污口中心距离150mm

HS-Q711
Standing urinal
Size:380*400*1020mm
排水方式:直排
排污口中心距离170mm
进水到墙排中心距离940mm

HS-F666
拖布池(超大号)
Mop pool
Size:750*350*410mm

HS-F746
拖布池(双槽)
Mop pool
Size:650*305*410mm

HS-F569
拖布池(超大号)
Mop pool
Size:780*460*685mm



HS-O382
艺术台上盆
Art basin
Size:500*405*120mm

HS-HY-8013A
艺术台上盆
Art basin
Size:480*420*125mm
520*470*145mm
640*410*130mm

HS-O415
艺术台上盆
Art basin
Size:515*430*170mm

HS-O704
艺术台上盆
Art basin
Size:400*350*100mm

HS-O392
艺术台上盆
Art basin
Size:525*435*145mm



HS-C506
拖布池
Mop pool
Size:580*360*420mm

HS-WZ-666
拖布池(弹跳式)
Mop pool
Size:450*390*475mm

HS-C502
拖布池(双驱动)
Mop pool
Size:560*480*430mm

HS-F645
拖布池
Mop pool
Size:560*380*400mm

HS-F642
拖布池
Mop pool
Size:520*320*400mm



HS-8006C
艺术台上盆
Art basin
Size:465*465*180mm

HS-8001A
艺术台上盆
Art basin
Size:420*420*170mm

HS-O817
艺术台上盆
Art basin
Size:445*445*175mm

HS-O648
艺术台上盆
Art basin
Size:390*390*170mm

HS-O645
艺术台上盆
Art basin
Size:450*450*170mm



HS-TU01A
拖布池
Mop pool
Size:340*340*405mm

HS-TU02A
拖布池
Mop pool
Size:350*380*500mm

HS-C2015
拖布池
Mop pool
Size:365*440*460mm

HS-D24
拖布池
Mop pool
Size:500*410*450mm

HS-WHB-18
洗衣槽
Laundry tub
Size:715*500*840mm



HS-O601
艺术台上盆
Art basin
Size:320*320*130mm
280*280*120mm

HS-8004B
艺术台上盆
Art basin
Size:400*400*150mm

HS-HY-5004/930
艺术台上盆
Art basin
Size:410*410*155mm
320*320*160mm

HS-O528
艺术台上盆
Art basin
Size:410*310*150mm

HS-O651/O651A
艺术台上盆
Art basin
Size:525*420*140mm
505*365*140mm



HS-133
艺术台上盆
Art basin
Size:480*348*145mm
600*405*155mm
700*430*150mm



HS-101
艺术台上盆
Art basin
Size:480*330*145mm
580*410*145mm
700*430*150mm



HS-O601A/PZ6193
艺术台上盆
Art basin
Size:450*450*135mm
520*370*140mm



HS-O527
艺术台上盆
Art basin
Size:490*390*150mm



HS-O574
艺术台上盆
Art basin
Size:495*375*130mm



HS-O413
艺术台上盆
Art basin
Size:420*420*130mm



HS-O420A
艺术台上盆
Art basin
Size:490*430*130mm



HS-O493
艺术台上盆
Art basin
Size:495*390*150mm



HS-O433
艺术台上盆
Art basin
Size:365*235*120mm
465*235*120mm



HS-8065E
艺术台上盆
Art basin
Size:465*365*135mm



HS-O584
艺术台上盆
Art basin
Size:500*355*100mm



HS-O407A/B
艺术台上盆
Art basin
Size:590*370*150mm
490*310*150mm



HS-O407
艺术台上盆
Art basin
Size:690*450*160mm



HS-O381
艺术台上盆
Art basin
Size:390*390*150mm



HS-O443
艺术台上盆
Art basin
Size:500*380*160mm



HS-O461
艺术台上盆
Art basin
Size:480*340*140mm



HS-O564
艺术台上盆
Art basin
Size:550*375*130mm



HS-O480
艺术台上盆
Art basin
Size:560*390*120mm



HS-O629
艺术台上盆
Art basin
Size:400*400*160mm



HS-O624
艺术台上盆
Art basin
Size:415*415*170mm



HS-O398
艺术台上盆
Art basin
Size:420*420*150mm



HS-O471
艺术台上盆
Art basin
Size:410*410*140mm



HS-O591
艺术台上盆
Art basin
Size:520*520*155mm



HS-O425
艺术台上盆
Art basin
Size:520*360*135mm
460*360*135mm



HS-O428
艺术台上盆
Art basin
Size:600*430*190mm



HS-O619
艺术台上盆
Art basin
Size:515*425*150mm



HS-O618
艺术台上盆
Art basin
Size:460*460*155mm



HS-O617
艺术台上盆
Art basin
Size:485*435*155mm



HS-O446
艺术台上盆
Art basin
Size:490*490*100mm



HS-O412
艺术台上盆
Art basin
Size:440*300*130mm



HS-HY-3011
艺术台上盆
Art basin
Size:420*420*135mm



HS-O666
艺术台上盆
Art basin
Size:420*420*145mm



HS-O438A
艺术台上盆
Art basin
Size:515*380*140mm



HS-O404
艺术台上盆
Art basin
Size:525*425*170mm



HS-O434
艺术台上盆
Art basin
Size:480*235*115mm



HS-O383
艺术台上盆
Art basin
Size:590*410*170mm



HS-O387
艺术台上盆
Art basin
Size:600*470*135mm
430*390*135mm
800*470*135mm



HS-O411
艺术台上盆
Art basin
Size:490*360*135mm



HS-O474
艺术台上盆
Art basin
Size:400*420*155mm
460*420*155mm
520*420*155mm



HS-HY-482
艺术台上盆
Art basin
Size:580*450*160mm



HS-O484
艺术台上盆
Art basin
Size:470*470*110mm
410*410*110mm



HS-O430
艺术台上盆
Art basin
Size:425*425*135mm



HS-O439
艺术台上盆
Art basin
Size:365*255*105mm



HS-O389
艺术台上盆
Art basin
Size:590*465*165mm



HS-O409
艺术台上盆
Art basin
Size:460*375*140mm



HS-O733A/B
台中盆
Art basin
Size:455*455*180mm
460*460*210mm



HS-O734
台中盆
Art basin
Size:470*470*160mm



HS-O549
台中盆
Art basin
Size:400*400*110mm



HS-O556
台中盆
Art basin
Size:600*400*200mm



HS-O504
台中盆
Art basin
Size:600*400*140mm



HS-O395
艺术台上盆
Art basin
Size:550*450*130mm



HS-O427
艺术台上盆
Art basin
Size:415*415*130mm
600*400*130mm



HS-O438
艺术台上盆
Art basin
Size:515*380*140mm



HS-O426/PZ6190
艺术台上盆
Art basin
Size:520*360*135mm
520*450*160mm



HS-O672
艺术台上盆
Art basin
Size:440*340*125mm



HS-O397
台中盆
Art basin
Size:420*420*155mm
500*420*155mm
600*420*155mm
700*420*155mm



HS-O726/O726A
艺术盆(套柜)
Art basin
Size:455*455*170mm
410*410*150mm



HS-O834
艺术盆(套柜)
Art basin
Size:550*410*140mm



HS-O675
艺术盆(套柜)
Art basin
Size:480*370*130mm



HS-O775
艺术盆(套柜)
Art basin
Size:480*370*135mm



HS-O536/HY-5719
艺术台上盆
Art basin
Size:470*320*100mm
620*405*120mm



HS-O817B
艺术台上盆
Art basin
Size:510*240*135mm



HS-O405A
艺术台上盆
Art basin
Size:450*450*140mm
580*470*135mm



HS-O406(左右)
艺术盆(挂墙)
Art basin
Size:470*290*175mm



HS-O500A(左右)
艺术盆(挂墙)
Art basin
Size:500*245*125mm



HS-669
台中盆
Art basin
Size:600*470*160mm



HS-O660/O660A
艺术盆(套柜)
Art basin
Size:570*400*190mm
640*380*170mm



HS-O623
艺术盆(套柜)
Art basin
Size:435*435*190mm



HS-O884
艺术盆(套柜)
Art basin
Size:550*465*170mm



HS-O723
艺术盆(套柜)
Art basin
Size:460*375*200mm



HS-O838
艺术盆(挂墙)
Art basin
Size:500*450*165mm



HS-O441
台中盆
Art basin
Size:530*335*170mm



HS-O435
台中盆
Art basin
Size:500*380*140mm
600*380*140mm
400*400*140mm



HS-O401A
台中盆
Art basin
Size:620*445*195mm
505*470*175mm



HS-O436
台中盆
Art basin
Size:420*420*140mm
600*400*140mm



HS-O514
艺术盆(挂墙)
Art basin
Size:370*390*135mm



HS-O516
艺术盆(挂墙)
Art basin
Size:490*420*170mm



HS-O722/O722A
艺术盆(挂墙)
Art basin
Size:435*320*130mm
650*470*150mm



HS-O721
艺术盆(挂墙)
Art basin
Size:545*440*330mm



HS-O665
艺术盆(挂墙)
Art basin
Size:520*415*320mm



HS-O890
台下盆
Under counter basin
Size:330*330*155mm
360*360*185mm
400*400*180mm
430*430*170mm

HS-888
台下盆
Under counter basin
Size:420*335*190mm 16"
460*380*190mm 18"
490*410*190mm 20"
560*410*190mm 22"

HS-D2403
台下盆
Under counter basin
Size:600*430*200mm

HS-908
台下盆
Under counter basin
Size:565*385*215mm

HS-D2219
台下盆
Under counter basin
Size:505*390*190mm

HS-O848
艺术台上盆
Art basin
Size:600*425*155mm

HS-O523
台下盆
Art basin
Size:630*430*150mm

HS-O524
艺术台上盆
Art basin
Size:610*410*150mm

HS-O442
艺术台上盆
Art basin
Size:640*420*105mm



HS-D1605/1808
台下盆
Under counter basin
Size:420*365*180mm
460*360*180mm

HS-902
台下盆
Under counter basin
Size:600*380*190mm

HS-901
台下盆
Under counter basin
Size:470*340*190mm

HS-903
台下盆
Under counter basin
Size:520*390*200mm

HS-D2402B
台下盆
Under counter basin
Size:620*385*180mm

HS-O506
艺术台上盆
Art basin
Size:600*400*140mm

HS-O571
艺术台上盆
Art basin
Size:690*420*110mm

HS-O570
艺术台上盆
Art basin
Size:660*410*115mm

HS-O460
艺术台上盆
Art basin
Size:800*400*120mm
600*400*120mm
500*380*120mm



HS-D2700
台下盆
Under counter basin
Size:690*350*155mm

HS-D2603
台下盆
Under counter basin
Size:675*355*145mm

HS-O421
艺术台上盆
Art basin
Size:640*410*140mm

HS-O597
艺术台上盆
Art basin
Size:660*460*140mm

HS-O393-70
艺术台上盆
Art basin
Size:700*380*140mm
600*380*140mm
500*380*140mm
400*400*140mm

HS-O431
艺术台上盆
Art basin
Size:610*375*115mm

HS-O429
艺术台上盆
Art basin
Size:600*380*120mm

HS-O561
艺术台上盆
Art basin
Size:650*455*155mm



HS-O885
艺术台上盆
Art basin
Size:625*450*120mm

HS-O569
艺术台上盆
Art basin
Size:580*355*105mm
660*375*130mm
760*425*130mm

HS-O447
艺术台上盆
Art basin
Size:630*360*150mm

HS-O503
艺术台上盆
Art basin
Size:700*370*140mm

HS-O525
艺术台上盆
Art basin
Size:600*400*90mm

HS-O886
艺术台上盆
Art basin
Size:700*400*140mm

HS-O467
艺术台上盆
Art basin
Size:800*390*120mm

HS-O576
艺术台上盆
Art basin
Size:800*400*120mm



HS-AJ010
Washdown/Siphonic one-piece toilet
直冲/虹吸式连体坐便器
Size: 720*370*800mm
P-trap: 180mm Roughing-in
S-trap: 250, 300, 400mm Roughing-in

HS-KY04D
Pedestal basin 立柱盆
Size: 410*410*850mm



HS-KJ03D(银色/金色)
立柱盆
Pedestal basin
Size: 400*460*900mm



HS-KYS-20(银色)
台上盆
Above counter basin
Size: 480*370*130mm



HS-FY05
挂墙式小便斗
Wall-hung urinal
Size: 300*300*650mm



HS-AJ168
Washdown/Siphonic one-piece toilet
直冲/虹吸式连体坐便器
Size: 700*390*780mm
P-trap: 180mm Roughing-in
S-trap: 250, 300, 400mm Roughing-in



HS-BY168
立柱盆
Pedestal basin
Size: 660*510*840mm



HS-KY168D
立柱盆
Pedestal basin
Size: 410*410*850mm



HS-092ZS
Siphonic one-piece toilet
虹吸式连体坐便器
Size: 700*390*780mm
S-trap: 300, 400mm Roughing-in



HS-400ZS(钻石石纹)
立柱盆
Pedestal basin
Size: 400*400*830mm



HS-BJ099
Pedestal basin 立柱盆
Size: 645*470*815mm

HS-AJ099
Washdown/Siphonic one-piece toilet
直冲/虹吸式连体坐便器
Size: 650*370*840mm
P-trap: 180mm Roughing-in
S-trap: 250, 300, 400mm Roughing-in



HS-KJ099D
立柱盆
Pedestal basin
Size: 460*460*820mm



HS-KJ1113
台上盆
Above counter basin
Size: 510*425*150mm



HS-FJ10
挂墙式小便斗
Wall-hung urinal
Size: 480*360*745mm



HS-AJ189
Washdown/Siphonic one-piece toilet
直冲/虹吸式连体坐便器
Size: 700*380*780mm
P-trap: 180mm Roughing-in
S-trap: 250, 300, 400mm Roughing-in



HS-KJ179D
立柱盆
Pedestal basin
Size: 400*400*835mm



HS-HJ196
Washdown wall-hung toilet
直冲式挂墙坐便器
Size: 560*350*340mm
P-trap: 180mm Roughing-in



HS-F632
Wall-hung urinal
挂墙式感应小便斗
Size: 330*310*700mm
排水方式: 横排、直排



HS-17211
Art basin 艺术盆
Size: 465*320*135mm



HS-17210
Art basin 艺术盆
Size: 415*415*140mm



HS-HJ02
直冲式挂墙坐便器
Washdown Wall-hung toilet
Size: 540*360*340mm

HS-HJ02C
Wall-hung basin 挂盆
Size: 540*440*390mm



HS-AJ030
直冲/虹吸式连体坐便器
Washdown/Siphonic one-piece toilet
Size: 725*325*845mm
P-trap: 180mm Roughing-in
S-trap: 250, 300, 400mm Roughing-in



HS-AJ036
直冲/虹吸式连体坐便器
Washdown/Siphonic one-piece toilet
Size: 660*360*850mm
P-trap: 180mm Roughing-in
S-trap: 250, 300mm Roughing-in



HS-KJ04D
立柱盆
Pedestal basin
Size: 410*410*850mm



HS-411(北欧黑边)
立柱盆
Pedestal basin
Size: 350*380*850mm



HS-422(水磨石黑边)
Art basin 艺术盆
Size: 415*415*140mm



HS-103(北欧黑白)
Siphonic one-piece toilet
虹吸式连体坐便器
Size: 720*390*650mm
S-trap: 300, 400mm Roughing-in



HS-105(水磨石白银)
Washdown/Siphonic one-piece toilet
直冲/虹吸式连体坐便器
Size: 680*345*770mm
P-trap: 180mm Roughing-in
S-trap: 250, 300, 400mm Roughing-in



HS-105(水磨石黑金)
Washdown/Siphonic one-piece toilet
直冲/虹吸式连体坐便器
Size: 680*345*770mm
P-trap: 180mm Roughing-in
S-trap: 250, 300, 400mm Roughing-in



HS-400(水磨石黑曜石半金)
立柱盆
Pedestal basin
Size: 400*400*830mm



HS-HJ05
直冲式挂墙坐便器
Washdown Wall-hung toilet
Size: 525*360*330mm

HS-HJ05C
Wall-hung basin 挂盆
Size: 570*480*390mm



HS-ASJ010-2
直冲/虹吸式连体坐便器
Washdown/Siphonic one-piece toilet
Size: 720*370*800mm
P-trap: 180mm Roughing-in
S-trap: 250, 300, 400mm Roughing-in



HS-BSJ010-2
立柱盆
Pedestal basin
Size: 660*510*840mm



HS-FJ09
挂墙式小便斗
Wall-hung urinal
Size: 310*370*470mm



HS-401(北欧白金)
立柱盆
Pedestal basin
Size:410*410*850mm



HS-406(古白金边)
立柱盆
Pedestal basin
Size:430*370*840mm



HS-412(北欧黑边)
立柱盆
Pedestal basin
Size:350*280*850mm



HS-400(古白黑鹿)
立柱盆
Pedestal basin
Size:400*400*830mm



HS-401(古白金鹿)
立柱盆
Pedestal basin
Size:410*410*850mm



HS-400(磨砂墨绿双彩)
立柱盆
Pedestal basin
Size:405*405*830mm



HS-400(磨砂粉双彩)
立柱盆
Pedestal basin
Size:405*405*830mm



HS-400(磨砂灰双彩)
立柱盆
Pedestal basin
Size:405*405*830mm



HS-409(墨绿彩)
立柱盆
Pedestal basin
Size:400*465*840mm



HS-409(白金)
立柱盆
Pedestal basin
Size:400*465*840mm



HS-400A(水磨石黑棕)
立柱盆
Pedestal basin
Size:400*400*830mm



HS-K1049D
立柱盆
Pedestal basin
Size:440*440*830mm



HS-K1032D
立柱盆
Pedestal basin
Size:400*400*820mm



HS-K1034D
立柱盆
Pedestal basin
Size:470*470*830mm



HS-K1035D
立柱盆
Pedestal basin
Size:400*400*820mm



HS-413(哑光黑)
艺术台上盆
Art basin
Size:410*410*140mm



HS-8402A(哑光黑)
艺术台上盆
Art basin
Size:500*400*145mm



HS-8146(哑光黑)
艺术台上盆
Art basin
Size:405*405*180mm



HS-8423(哑光黑)
艺术台上盆
Art basin
Size:600*350*110mm



HS-016(哑光黑)
艺术台中盆
Art basin
Size:425*425*155mm



HS-403(哑光黑)
艺术台上盆
Art basin
Size:440*440*130mm



HS-411(哑光黑)
艺术台上盆
Art basin
Size:540*470*150mm



HS-460(哑光黑白)
艺术台上盆
Art basin
Size:460*415*155mm



HS-407A(哑光黑白)
艺术台上盆
Art basin
Size:560*430*150mm



HS-858(哑光黑白)
艺术台上盆
Art basin
Size:630*370*150mm



HS-021(哑光白)
艺术台上盆
Art basin
Size:365*365*120mm



HS-408(哑光白)
艺术台上盆
Art basin
Size:500*400*135mm



HS-406(哑光粉红)
艺术台上盆
Art basin
Size:420*420*135mm



HS-403(哑光灰)
艺术台上盆
Art basin
Size:440*440*130mm



HS-402A(豹纹黑)
艺术台上盆
Art basin
Size:510*400*145mm



HS-413(豹纹金)
艺术台上盆
Art basin
Size:410*410*140mm



HS-402A(哑光玫瑰金)
艺术台上盆
Art basin
Size:510*400*145mm



HS-015(黑边)
艺术台上盆
Art basin
Size:390*390*135mm



HS-406(黑边)
艺术台上盆
Art basin
Size:420*420*135mm



HS-406(彩虹釉8)
艺术台上盆
Art basin
Size:420*420*135mm



HS-412(珍珠蓝)
艺术台上盆
Art basin
Size:640*420*130mm



HS-402(珍珠黑)
艺术台上盆
Art basin
Size:460*330*140mm



HS-421(珍珠赤)
艺术台上盆
Art basin
Size:460*460*145mm



HS-428(线条黑)
艺术台上盆
Art basin
Size:600*400*140mm



HS-398(豹纹黑)
立柱盆Pedestal basin
Size:410*410*820mm



HS-17006
艺术台上盆
Art basin
Size:415*415*135mm



HS-17170
艺术台上盆
Art basin
Size:600*390*140mm



HS-17165
艺术台上盆
Art basin
Size:395*395*140mm



HS-17162
艺术台上盆
Art basin
Size:480*370*140mm



HS-17097
艺术台上盆
Art basin
Size:410*410*140mm



HS-6505
艺术台上盆
Art basin
Size:395*395*155mm



HS-6506
艺术台上盆
Art basin
Size:600*400*150mm



HS-6501
艺术台上盆
Art basin
Size:480*370*140mm



HS-453(水磨石白半金)
艺术台上盆
Art basin
Size:615*350*110mm



HS-452(水磨石白半金))
艺术台上盆
Art basin
Size:600*390*125mm



HS-17180
艺术台上盆
Art basin
Size:500*400*135mm



HS-17188
艺术台上盆
Art basin
Size:675*380*115mm



HS-17192
艺术台上盆
Art basin
Size:560*355*120mm



HS-17198
艺术台上盆
Art basin
Size:400*400*130mm



HS-17127
艺术台上盆
Art basin
Size:610*355*110mm



HS-JQ19-01
岩板立柱盆
Size: 400*400*860mm

HS-JQ19-02
岩板立柱盆
Size: 400*400*860mm



HS-JQ19-03
岩板立柱盆
Size: 380*380*850mm



HS-JQ19-04
岩板立柱盆
Size: 380*380*850mm



HS-JQ19-05
岩板立柱盆
Size: 420*420*830mm



HS-JQ20-13
岩板立柱盆
Size: 420*420*870mm



HS-JQ20-08
岩板立柱盆
Size: 455*380*870mm



HS-JQ19-06
岩板立柱盆
Size: 580*430*860mm



HS-JQ19-07
岩板立柱盆
Size: 410*410*850mm



HS-JQ30-04
岩板立柱盆
Size: 600*445*850mm



HS-JQ30-05
岩板立柱盆
Size: 600*445*850mm

HS-JQ30-02
岩板立柱盆
Size: 400*445*850mm



HS-JQ40-01
岩板立柱盆
Size: 400*445*850mm



HS-JQ30-03
岩板立柱盆
Size: 400*360*830mm



HS-B0035
岩板盆(粉色)
Size: 405*405*130mm



HS-B0035 岩板盆(军绿) Size: 405*405*130mm
 HS-B0035 岩板盆(灰色) Size: 405*405*130mm
 HS-B0035 岩板盆(橙色) Size: 405*405*130mm



HS-B0029
岩板盆(青芒)
Size: 600*360*145mm
500*360*135mm



陶瓷盆

HS-K1709 岩板盆(姜黄色) Size: 410*410*150mm
 HS-K1709 岩板盆(军绿色) Size: 410*410*150mm
 HS-K1709 岩板盆(红色) Size: 410*410*150mm



HS-B0029 岩板盆(紫色) Size: 600*360*145mm
500*360*135mm
 HS-B0030 岩板盆(驼色) Size: 800*400*150mm
600*360*145mm
 HS-B0030 岩板盆(灰色) Size: 800*400*150mm
600*360*145mm



HS-B0032 岩板盆(灰色) Size: 520*390*140mm
 HS-B0032 岩板盆(粉色) Size: 520*390*140mm
 HS-B0032 岩板盆(橙色) Size: 520*390*140mm



HS-B0031 岩板盆(驼色) Size: 800*400*130mm
600*360*120mm
500*360*120mm
 HS-B0031 岩板盆(黑色) Size: 800*400*130mm
600*360*120mm
500*360*120mm
 HS-B0031 岩板盆(灰色) Size: 800*400*130mm
600*360*120mm
500*360*120mm



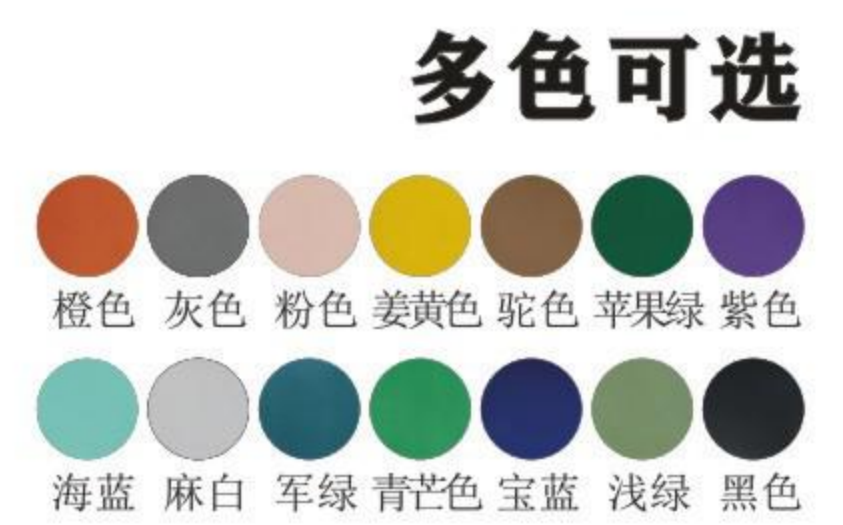
HS-B0034 岩板盆(军绿色) Size: 405*405*130mm
 HS-B0034 岩板盆(驼色) Size: 405*405*130mm



HS-B0040 岩板盆(驼色) Size: 600*400*130mm
 HS-B0040 岩板盆(姜黄色) Size: 600*400*130mm
 HS-B0040 岩板盆(橙色) Size: 600*400*130mm



HS-B0037 岩板盆(橙色/粉色) Size: 590*440*160mm
 HS-B0036 岩板盆(灰色) Size: 600*400*145mm



HS-B0033 岩板盆(粉色) Size: 400*360*130mm
 HS-B0033 岩板盆(苹果绿) Size: 400*360*130mm



HS-B0038 岩板盆(橙色) Size: 400*445*160mm
 HS-B0038 岩板盆(苹果绿) Size: 400*445*160mm
 HS-B0038 岩板盆(粉色) Size: 400*445*160mm



HS-Z09(金锈石)▶

Size:
柱子: 300*420*720mm
盆: 420*420*140mm

◀HS-SY-304(芝麻黑)

Size:
柱子: 430*400*720mm
盆: 420*520*150mm



◀HS-Z7(芝麻黑)

Size:
柱盆: 480*430*820mm



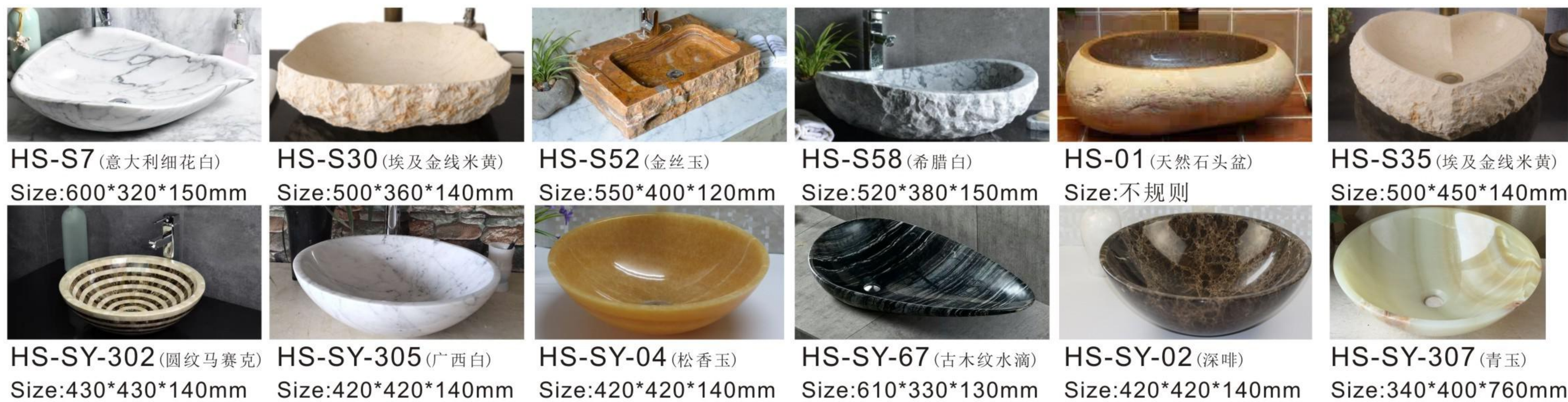
◀HS-Z12(希腊白)

Size:
柱子: 300*200*700mm
台面: 600*500*20mm



◀HS-Z10(金锈石)

Size:
柱子: 300*300*660mm
台面: 760*450*40mm



HS-2210M(儿童直冲连体座便器)

Washdown one-piece children toilet
Size:500*285*530mm
排污口中心离墙: 175mm
排污口中心离地: 110mm



HS-2215M(儿童虹吸连体座便器)

Siphonic one-piece children toilet
Size:530*320*610mm
排污口中心离墙: 300mm



HS-219M(儿童立柱盆)

Pedestal basin
Size:310*370*560mm
背靠墙安装Fixing to wall with back



HS-216M(儿童带S管蹲便器)

Squatting pan W. C
Size:400*305*190mm
入地式安装



HS-006M(儿童挂式小便斗)

Wall-hung urinal
285*240*500mm
排污口中心离墙: 80mm
排污口中心离地: 80mm



HS-003M(儿童挂式小便斗)

Wall-hung urinal
285*240*490mm
排污口中心离墙: 70mm
排污口中心离地: 80mm



HS-2215X(儿童虹吸连体座便器)
Siphonic one-piece children toilet
Size:530*320*610mm
排污口中心离墙: 300mm



HS-016X(儿童台上盆)
Above counter basin
Size:360*360*150mm
400*400*160mm
台上安装



HS-216X(儿童带S管蹲便器)
Squatting pan W. C
Size:400*305*190mm
入地式安装



HS-220X(儿童立柱盆)
Pedestal basin
Size:420*360*520mm
背靠墙安装Fixing to wall with back



HS-003X(儿童挂式小便斗)
Wall-hung urinal
285*240*490mm
排污口中心离墙: 70mm
排污口中心离地: 80mm



HS-006X(儿童挂式小便斗)
Wall-hung urinal
285*240*500mm
排污口中心离墙: 80mm
排污口中心离地: 80mm



HS-2210K(儿童直冲连体座便器)
Washdown one-piece children toilet
Size:500*285*530mm
排污口中心离墙: 175mm
排污口中心离地: 110mm



HS-2211K(儿童直冲连体座便器)
Washdown one-piece children toilet
Size:500*280*540mm
排污口中心离墙: 170mm
排污口中心离地: 140mm



HS-220K(儿童立柱盆)
Pedestal basin
Size:420*360*520mm
背靠墙安装Fixing to wall with back



HS-216K(儿童带S管蹲便器)
Squatting pan W. C
Size:400*305*190mm
入地式安装



HS-006K(儿童挂式小便斗)
Wall-hung urinal
285*240*500mm
排污口中心离墙: 80mm
排污口中心离地: 80mm



HS-003K(儿童挂式小便斗)
Wall-hung urinal
285*240*490mm
排污口中心离墙: 70mm
排污口中心离地: 80mm

颜色可选

颜色可选



HS-2211(儿童直冲连体座便器)
Washdown one-piece children toilet
Size:500*280*540mm
排污口中心离墙: 170mm
排污口中心离地: 140mm



HS-220(儿童彩色立柱盆)
Pedestal basin
Size:420*360*520mm
背靠墙安装Fixing to wall with back



HS-006(儿童彩色小便斗)
Wall-hung urinal
Size:285*240*500mm
排污口中心离墙:80mm
排污口中心离地:80mm



HS-D05(小马桶蹲便隔板)
Squat toilet partition
Size:600*600mm
背靠墙安装Fixing to wall with back



HS-2210(儿童直冲连体座便器)
Washdown one-piece children toilet
Size:500*285*530mm
排污口中心离墙: 200/300mm
排污口中心离地: 110mm



HS-200(儿童彩色立柱盆)
Pedestal basin
Size:330*275*610mm
背靠墙安装Fixing to wall with back



HS-小企鹅(儿童彩色小便斗)
Wall-hung urinal
Size:295*200*405mm
背靠墙安装Fixing to wall with back



HS-D08(小便斗隔板)
Urinal partition
Size:300*600mm
背靠墙安装Fixing to wall with back



HS-216(儿童蹲便器)
Squatting panW. C
Size:400*305*190mm
带S管-入地式安装



HS-212(儿童蹲便器)
Squatting panW. C
Size:400*305*150mm
无带S管-入地式安装



HS-016(儿童彩色台上盆)
Above counter basin
Size:360*360*150mm
400*400*150mm
台上安装



HS-D05(儿童彩色台上盆)
Above counter basin
Size:320*320*155mm
台上安装



HS-小四方(儿童彩色水箱)
Water tank
Size:360*110*410mm
背靠墙安装Fixing to wall with back



HS-025(儿童彩色台上盆)
Above counter basin
Size:480*370*130mm
台上安装



HS-D08(儿童彩色台下盆)
Under counter basin
Size:405*350*170mm
台下安装



HS-2215(儿童虹吸连体座便器)
Siphonic one-piece children toilet
Size:530*320*160mm
排污口中心离墙: 300mm



HS-300(儿童彩色立柱盆)
Pedestal basin
Size:320*320*525mm
背靠墙安装Fixing to wall with back



HS-010(儿童彩色小便斗)
Wall-hung urinal
Size:320*270*390mm
背靠墙安装Fixing to wall with back



HS-D01(兔子儿童蹲便隔板)
Rabbit Squat toilet partition
Size:420*360*520mm
背靠墙安装Fixing to wall with back



HS-2213(儿童直冲连体座便器)
Washdown one-piece children toilet
Size:500*360*580mm
排污口中心离墙: 160mm



HS-219(儿童彩色立柱盆)
Wall-hung urinal
Size:285*240*500mm
排污口中心离墙:80mm
排污口中心离地:80mm



HS-2220(儿童虹吸连体座便器)
Siphonic one-piece children toilet
Size:540*310*560mm
排污口中心离墙: 200/300mm



HS-003(儿童彩色小便斗)
Wall-hung urinal
Size:285*240*490mm
排污口中心离墙:70mm
排污口中心离地:80mm



HS-9008(儿童浴室柜)
Vanity
主柜Cabinet Size:450*320*595mm
镜子Mirror Size: 450*450mm
洗手盆Basin Size:330*280*120mm

材质: PVC
安装方式: 背靠墙安装



HS-9009(儿童浴室柜)
Vanity
主柜Cabinet Size:600*420*580mm
镜子Mirror Size: 450*450mm
洗手盆Basin Size:360*360*150mm
材质: PVC
安装方式: 背靠墙安装

HS-9007(儿童浴室柜)
Vanity
主柜Cabinet Size:400*400*580mm
镜子Mirror Size: 450*450mm
洗手盆Basin Size:360*360*150mm
材质: PVC
安装方式: 背靠墙安装





HS-2211白色(儿童直冲连体座便器)
Washdown one-piece children toilet
Size:500*280*540mm
排污口中心离墙: 170mm
排污口中心离地: 140mm



HS-220白色(儿童立柱盆)
Pedestal basin
Size:420*360*520mm
背靠墙安装Fixing to wall with back



HS-228白色(儿童虹吸连体座便器)
Washdown one-piece children toilet
Size:500*285*535mm
排污口中心离墙: 200/300mm



HS-006白色(儿童小便斗)
Wall-hung urinal
Size:285*240*500mm
排污口中心离墙: 80mm
排污口中心离地: 80mm



HS-2210白色(儿童直冲连体座便器)
Washdown one-piece children toilet
Size:500*285*530mm
排污口中心离墙: 200/300mm
排污口中心离地: 110mm



HS-200白色(儿童立柱盆)
Pedestal basin
Size:330*275*610mm
背靠墙安装Fixing to wall with back



HS-小企鹅白色(儿童小便斗)
Wall-hung urinal
Size:295*200*405mm
背靠墙安装Fixing to wall with back



HS-212(儿童蹲便器)
Squatting panW. C
Size:400*305*150mm
无带S管-入地式安装



HS-2215白色(儿童虹吸连体座便器)
Siphonic one-piece children toilet
Size:530*320*160mm
排污口中心离墙: 300mm



HS-300白色(儿童立柱盆)
Pedestal basin
Size:320*320*525mm
背靠墙安装Fixing to wall with back



HS-010白色(儿童小便斗)
Wall-hung urinal
Size:320*270*390mm
背靠墙安装Fixing to wall with back



HS-222(儿童蹲便器)
Squatting panW. C
Size:410*310*190mm
前排水, 排污口离墙120mm
后排水, 排污口离墙280mm



HS-2213白色(儿童直冲连体座便器)
Washdown one-piece children toilet
Size:500*360*580mm
排污口中心离墙: 160mm



HS-219白色(儿童立柱盆)
Pedestal basin
Size:370*310*560mm
背靠墙安装Fixing to wall with back



HS-2220白色(儿童虹吸连体座便器)
Siphonic one-piece children toilet
Size:540*310*560mm
排污口中心离墙: 200/300mm



HS-003白色(儿童小便斗)
Wall-hung urinal
Size:285*240*490mm
排污口中心离墙: 70mm
排污口中心离地: 80mm



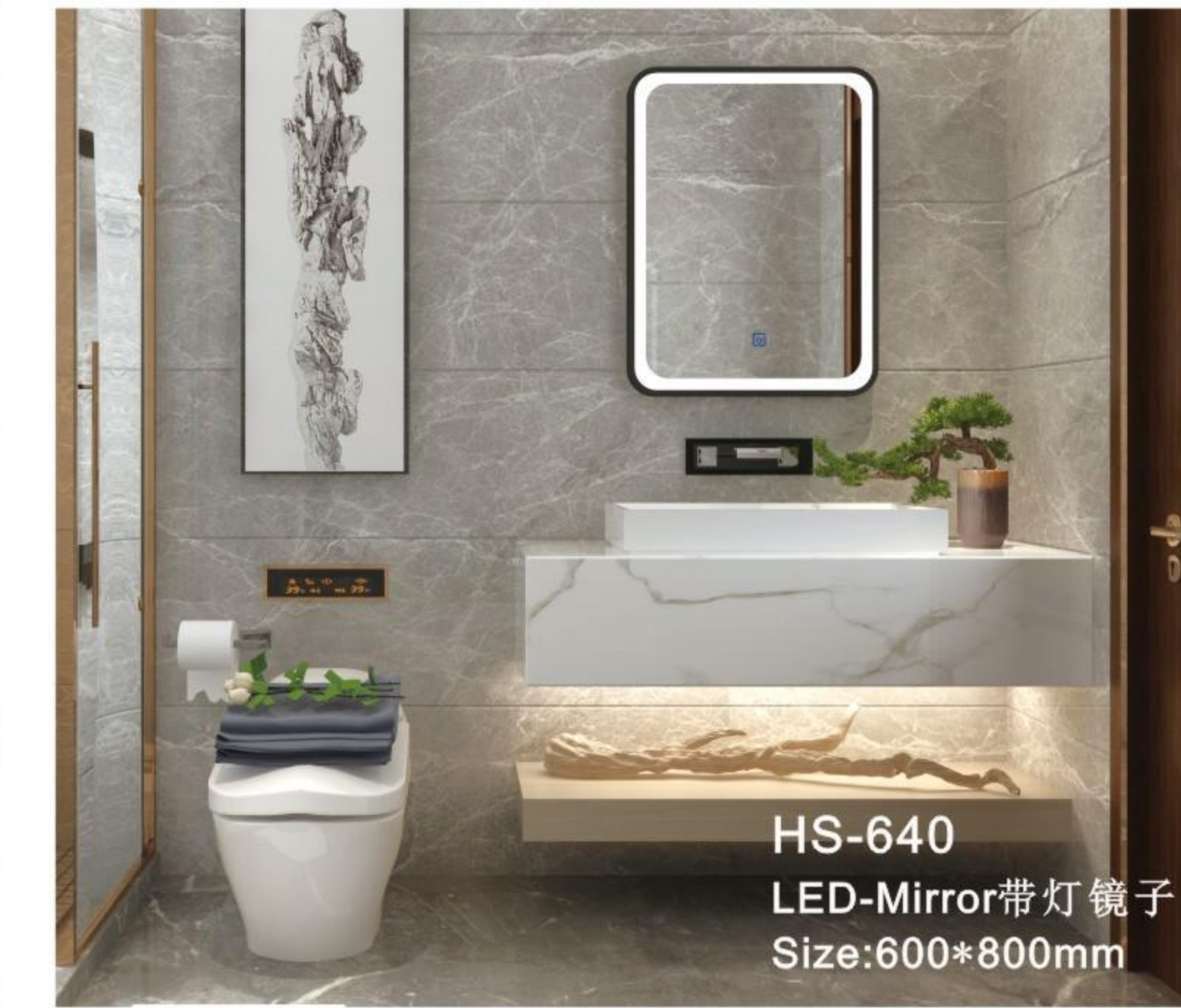
HS-807
LED-Mirror带灯镜子
Size:800*800mm



HS-697
LED-Mirror带灯镜子
Size:600*900mm



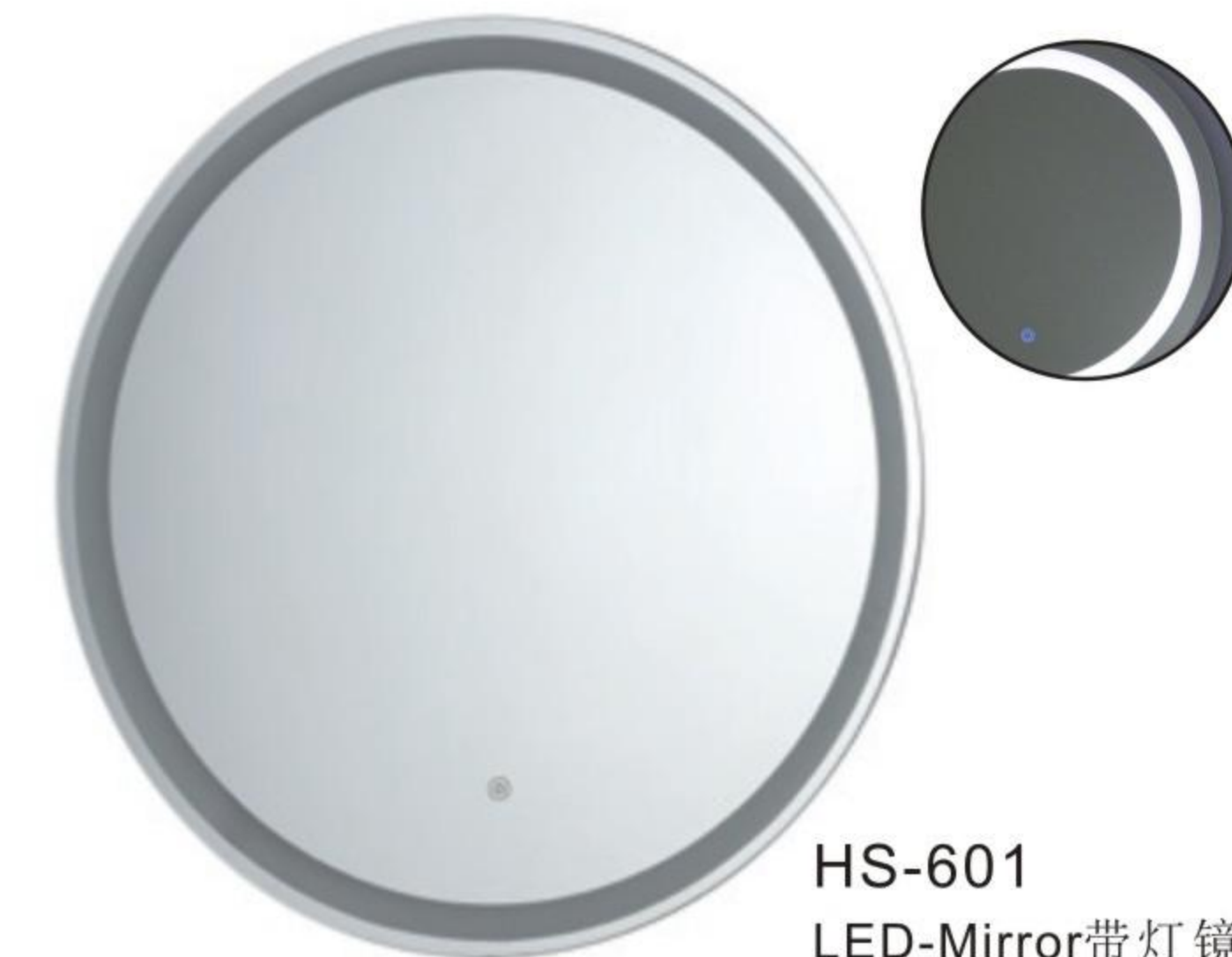
HS-ZO001
LED-Mirror带灯镜子
Size:1430*1000mm
(Φ1000+Φ600)



HS-640
LED-Mirror带灯镜子
Size:600*800mm



HS-600B
LED-Mirror带灯镜子
Size:600*600mm



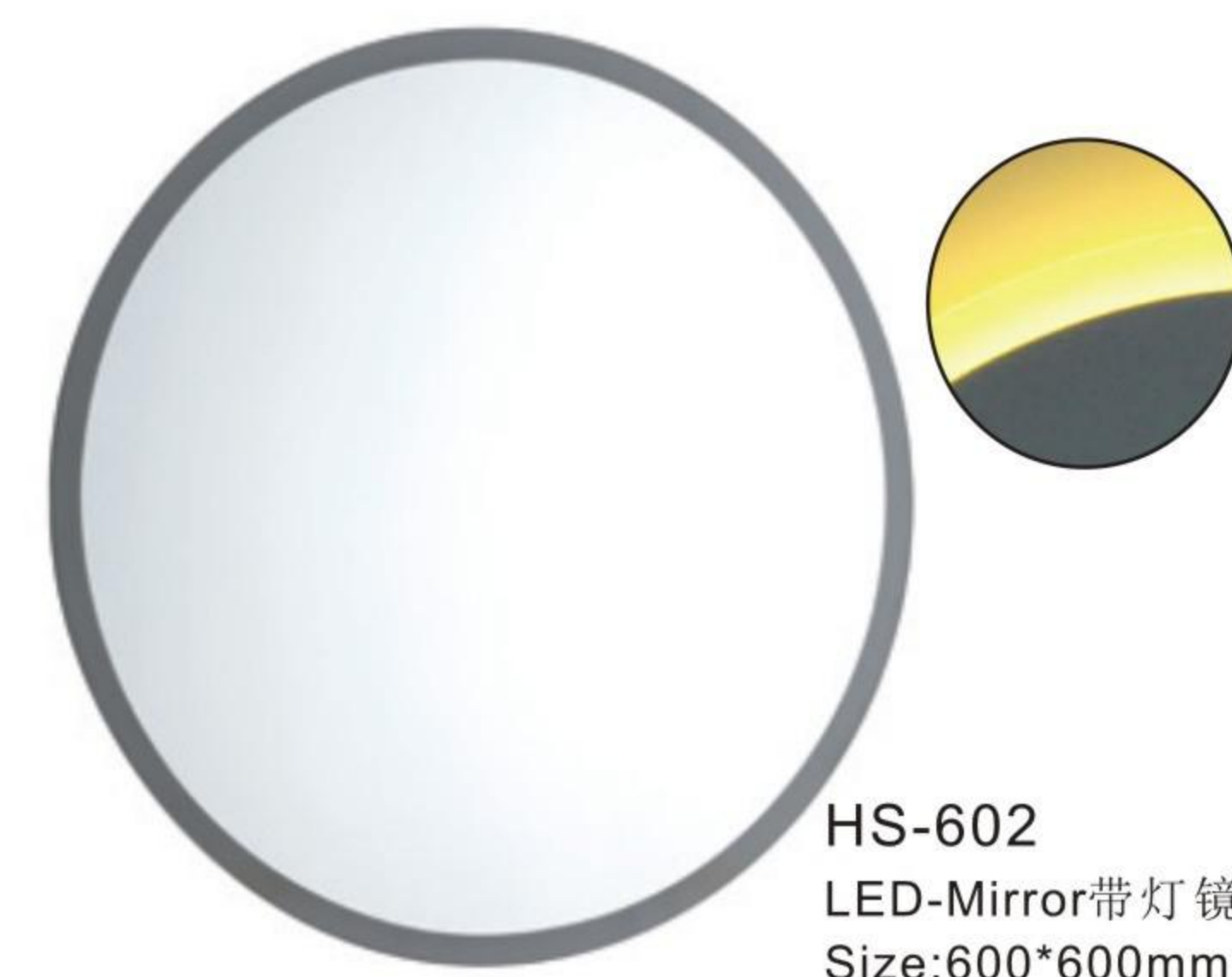
HS-601
LED-Mirror带灯镜子
Size:600*600mm



HS-683
LED-Mirror带灯镜子
Size:600*800mm



HS-691
LED-Mirror带灯镜子
Size:1000*700mm



HS-602
LED-Mirror带灯镜子
Size:600*600mm



HS-006
LED-Mirror带灯镜子
Size:600*800mm



HS-ZC002
LED-Mirror带灯镜子
Size:450*1000mm